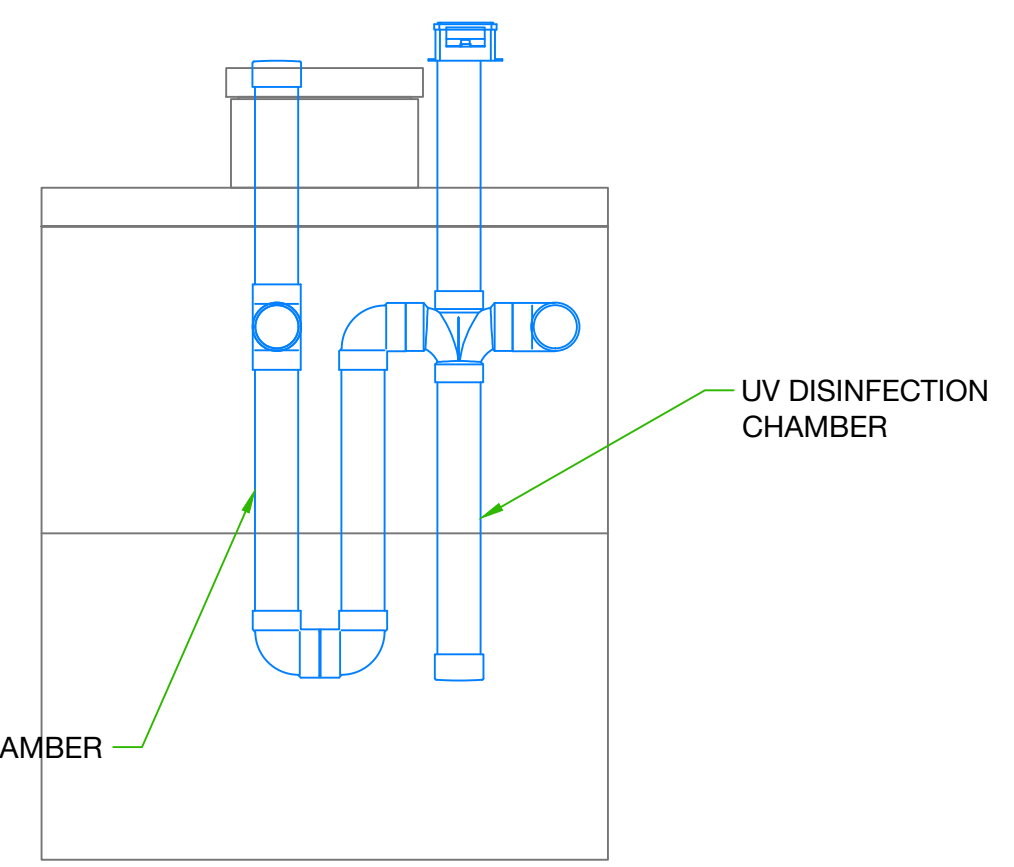
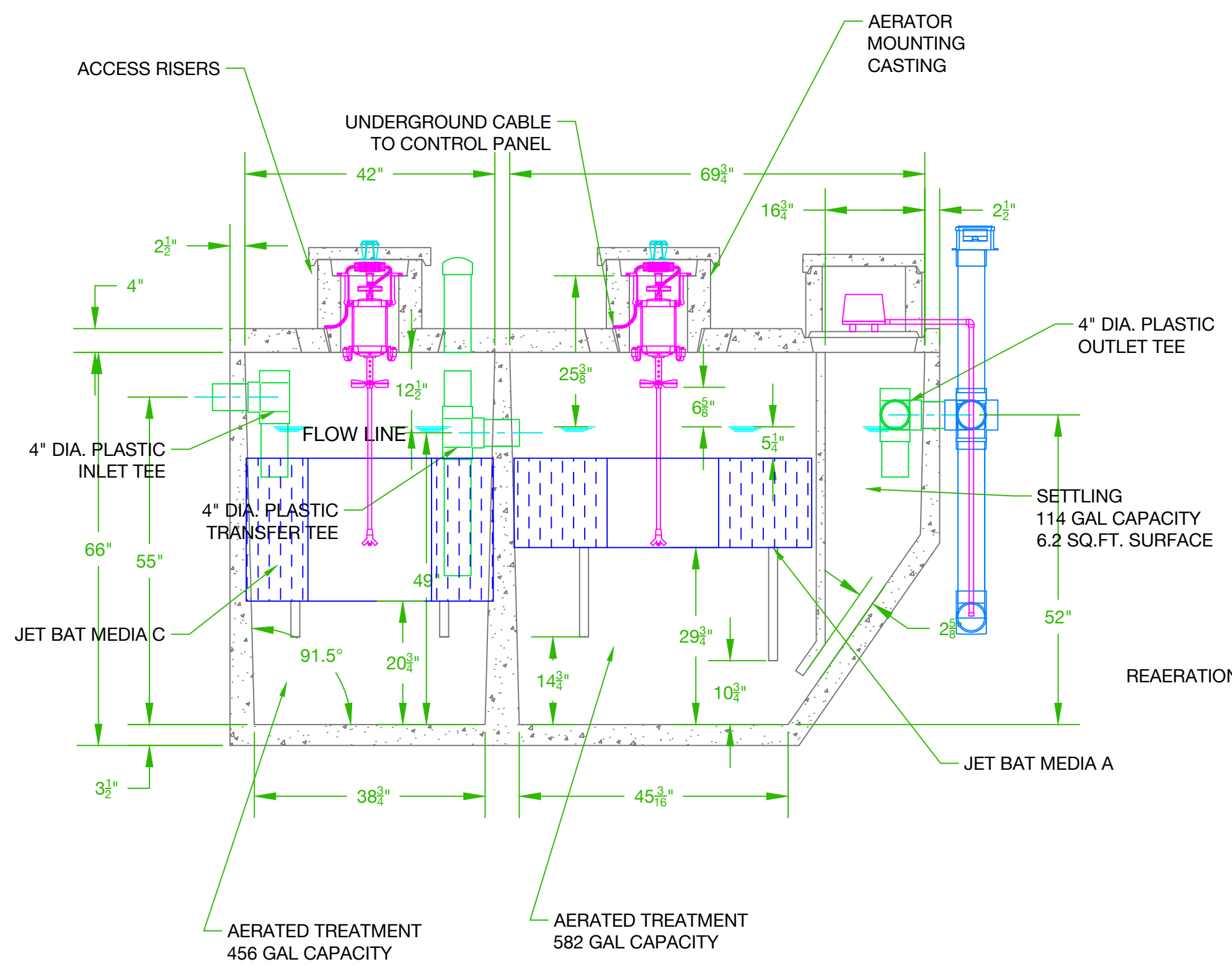



- NOTES:
1. AERATOR MODEL 700LL MUST BE USED IN CONTINUOUS OPERATION IN EACH TREATMENT CHAMBER
 2. J-1000 MUST BE PRECEDED BY 1000 GALLON SEPTIC TANK OR PRETREATMENT TANK
 3. DEVELOP RISERS TO GRADE OR WITHIN 12" BELOW GRADE
 4. PLASTIC RISERS CAST INTO THE TANK LID MAY BE USED IN PLACE OF CONCRETE RISERS
 5. JET 952 UV DEVICE IS CAPABLE OF 99.9% DISINFECTION OF FLOWS UPTO 10 GPM



-	1407	05/07/15	REDRAWN	N J K
REV/ECN	DATE	DESCRIPTION		DRFT/APRV
		DRAWN BY:	DATE:	
		N J K	05/07/15	
		APPROVED BY:	DATE:	
		MATERIAL:		
TITLE:		SCALE:	SIZE:	
J-1000 RESIDENTIAL WWTP		1 : 20	C	
UV DISINFECTION AND REAERATION		UNLESS OTHERWISE SPECIFIED:		
ONE PIECE TANK CASTING		ALL DIMENSIONS ARE IN INCHES		
USED ON:		DECIMAL: ± .005		
		FRACTIONAL: ± 1/64		
		DEGREE: ± 1°		
PROPRIETARY PROPERTY: THIS DRAWING IS THE PROPERTY OF JET INC. AND MAY NOT BE REPRODUCED, COPIED OR USED WITHOUT WRITTEN PERMISSION.		DRAWING NUMBER:		
		J-1000-RAD		
		REV: -		