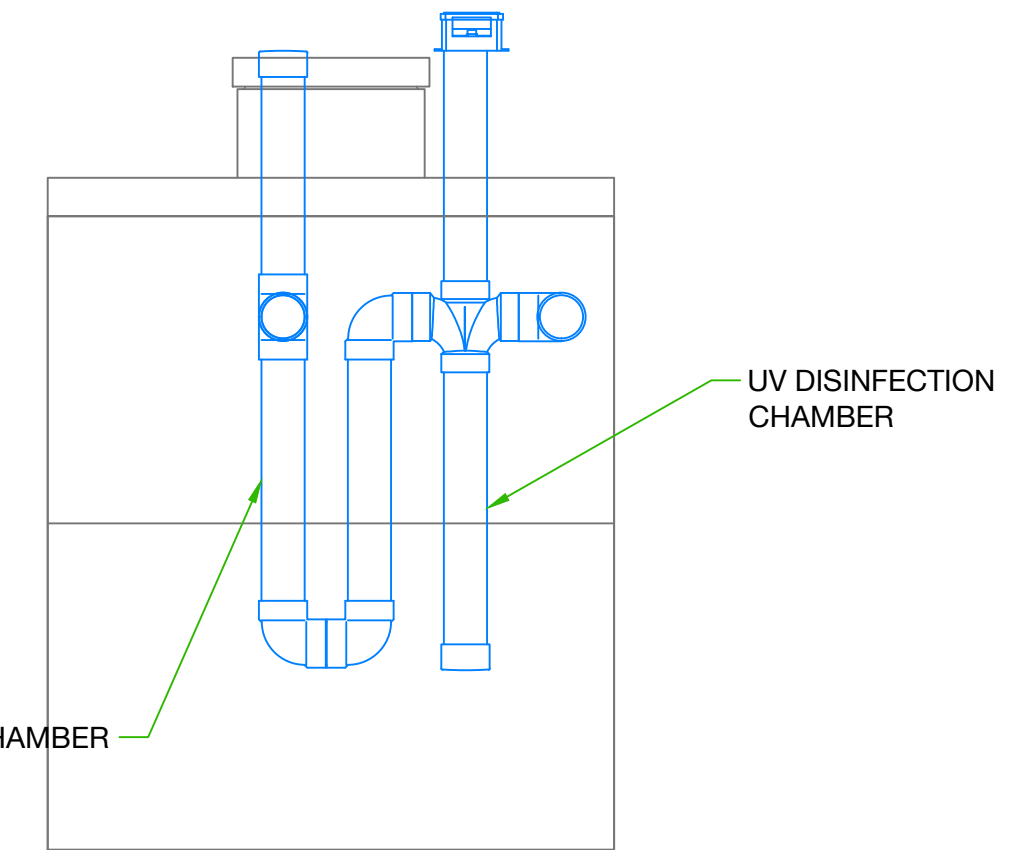
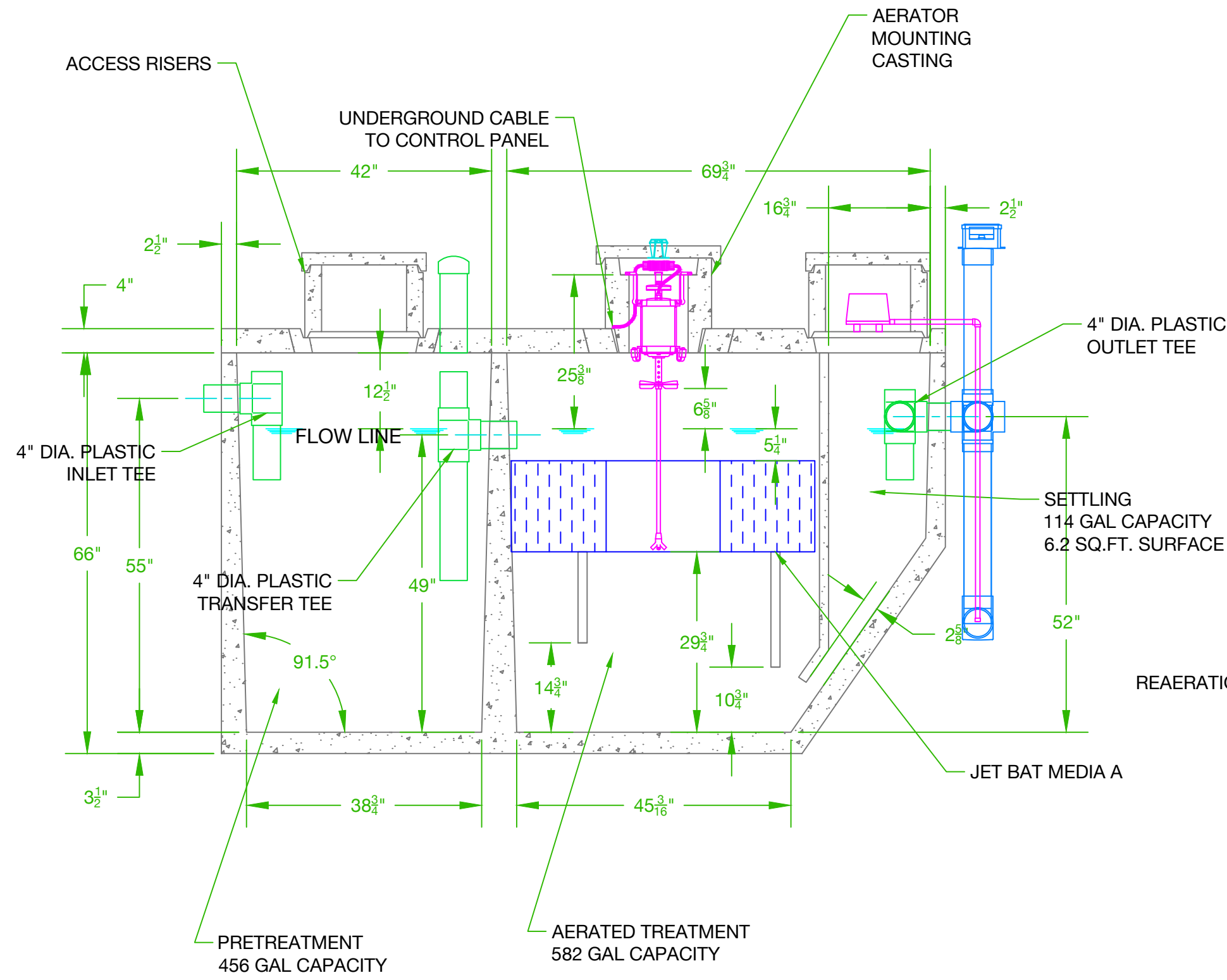


- NOTES:
1. AERATOR MODEL 700LL MUST BE USED IN CONTINUOUS OPERATION
 2. DEVELOP RISERS TO GRADE OR WITHIN 12" BELOW GRADE
 3. PLASTIC RISERS CAST INTO THE TANK LID MAY BE USED IN PLACE OF CONCRETE RISERS
 4. J-500 IS CAPABLE OF TREATING 0.71 LBS. BOD/DAY
 5. UV DEVICE IS CAPABLE OF 99.9% DISINFECTION OF FLOWS UPTO 10 GPM



-	1407	08/14/14	REDRAWN	N J K
REV	ECN	DATE	DESCRIPTION	DRFT/APRV
		DRAWN BY:	DATE:	
		N J K	08/14/14	
		APPROVED BY:	DATE:	
TITLE:		SCALE:	SIZE:	
J-500 RESIDENTIAL WWTP		1 : 20	C	
UV DISINFECTION AND REAERATION		UNLESS OTHERWISE SPECIFIED:		
ONE PIECE TANK CASTING		ALL DIMENSIONS ARE IN INCHES		
USED ON:		DECIMAL: ± .005		
		FRACTIONAL: ± 1/64		
		DEGREE: ± 1°		
PROPRIETARY PROPERTY: THIS DRAWING IS THE PROPERTY OF JET INC. AND MAY NOT BE REPRODUCED, COPIED OR USED WITHOUT WRITTEN PERMISSION.		DRAWING NUMBER:		
		J-500-RAD		REV: -