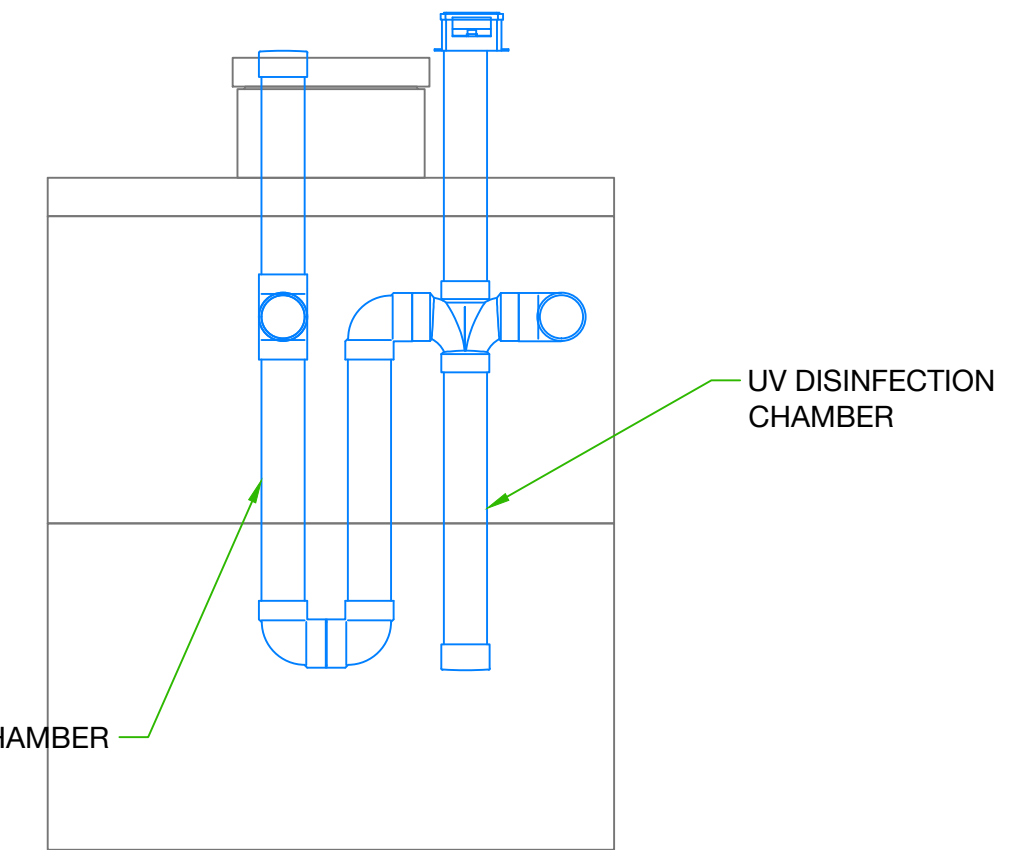
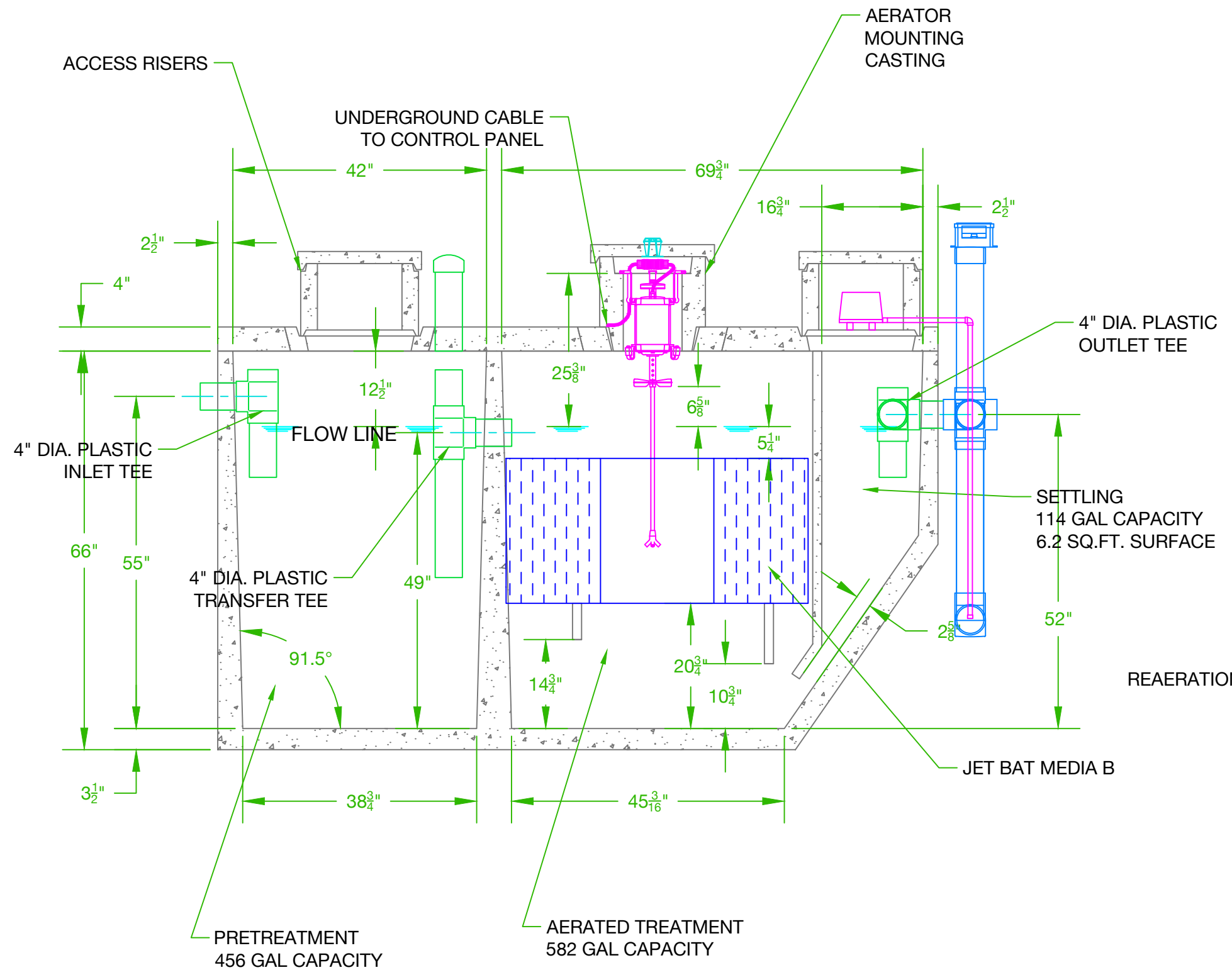



- NOTES:
1. AERATOR MODEL 700LL MUST BE USED IN CONTINUOUS OPERATION
 2. DEVELOP RISERS TO GRADE OR WITHIN 12" BELOW GRADE
 3. PLASTIC RISERS CAST INTO THE TANK LID MAY BE USED IN PLACE OF CONCRETE RISERS
 4. J-750 IS CAPABLE OF TREATING 1.07 LBS. BOD/DAY
 5. JET J52 UV DISINFECTION DEVICE IS CAPABLE OF 99.9% DISINFECTION OF FLOWS UPTO 10 GPM



REV	ECN	DATE	DESCRIPTION	DRFT	APRV
-	1407	08/14/14	REDRAWN	N J K	
					
TITLE: J-750 RESIDENTIAL WWTP UV DISINFECTION AND REAERATION ONE PIECE TANK CASTING			DRAWN BY: N J K		DATE: 08/14/14
USED ON:			APPROVED BY:		DATE:
PROPRIETARY PROPERTY: THIS DRAWING IS THE PROPERTY OF JET INC. AND MAY NOT BE REPRODUCED, COPIED OR USED WITHOUT WRITTEN PERMISSION.			MATERIAL:		SCALE: 1 : 20
			UNLESS OTHERWISE SPECIFIED: ALL DIMENSIONS ARE IN INCHES DECIMAL: ± .005 FRACTIONAL: ± 1/64 DEGREE: ± 1°		SIZE: C
			DRAWING NUMBER: J-750-RAD		REV: -