

Media Service Instructions

1500 Series BAT® Media Plants

J-500 MEDIA SERVICE

- Read these instructions and perform every step.
- After servicing 2 or 3 installations, you will only have to refer to these instructions occasionally.
- When you have mastered servicing the 500 gpd plant, there is little left to learn to service the entire 1500 Series.

3-YEAR SERVICE CYCLE

The J-500 Service chart below shows Media is air cleaned once every year, on one of your regular service calls. If you service a BAT® Plant's Media once per year, according to these instructions, the plant will continue giving Class I NSF results.

PLANT SERVICE - 3 YEAR CYCLE						
Plant & Media Service	Service Months					
	6	12	18	24	30	36
6-Month Inspection/Service	•	•	•	•	•	•
1 Year Service		•		•		•
3 Year Service						•

Notes:

1. Shaded columns show Media service calls
2. 1-Year Service consists of 6 month Inspection/Service and Media Air Cleaning
3. 3-Year Service includes 1 Year Service, Media Cleaning & Tank Pumping. The serviceperson and tank pumper must work together at the job site on the 3 Year call.

1500 SERIES TREATMENT PLANTS

1. 1500 Series Media
 - a. There are 4 different Media Sets which are used alone or in different combinations in the 1500 Series. Each Media Set is identified by a letter, "A" through "D".
 - b. Note that 1000 through 1500 gpd plants have a separate Pretreatment Tank and use an entire Jet tank for treatment.
2. Illustrations in these instructions show the "A" Media Set.

A. Air Cleaning Tools & Assembly

1. Air Cleaning Tools

Air cleaning tools are used to clean Media. This is done once per year on one of your six-month inspection and service calls.

- A blower supplies compressed air to the tool.
- Use of these tools is explained in the following instructions.

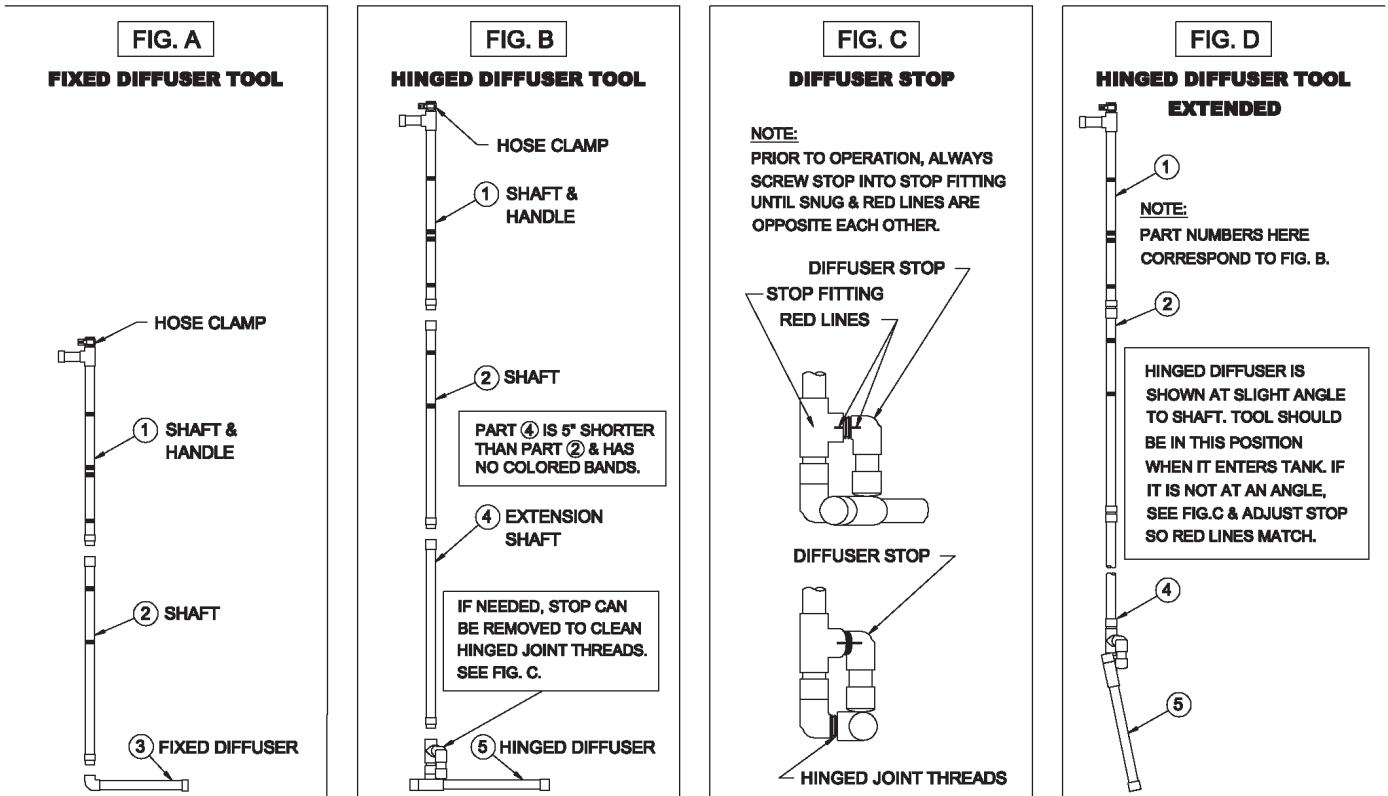
CAUTION! Rough handling or an impact between any of the cleaning tools and a hard surface will result in tool failure. Special care should be taken to insure gentle contact when tool tip touches any concrete surface. In freezing weather immediately drain any water out of tools after use. Experience has shown that when temperatures are below freezing, water left in tools freezes rapidly. Immediate draining is required

2. Assembly of Tools

Cleaning Tools to Use	Number of Risers	Assembly
Fixed Diffuser Tool	None	Arrange parts as shown in Fig. A on the next page. Screw 1 into 2. Hand tighten-snug. Screw 3 into 2. Hand tighten-snug.
Hinged Diffuser Tool	1 to 5	Arrange parts as shown in Fig. B on the next page. Screw 1 into 2. Hand tighten-snug. Screw 4 into 2. Hand tighten-snug. Screw 5 into 4. Hand tighten-snug. Align red lines. See Fig. C.
IMPORTANT: Always assemble Fixed Diffuser & Hinged Diffuser Tools, Fig. A & B, so handle is directly over diffuser or 180° away from it. This allows you to track diffuser position by watching handle position when using tool.		

3. Jet Blower Kit

- a. An air hose connects blower and air cleaning tool. Hose clamps for blower and Media air cleaning tool are supplied.
 - Blower is pre-assembled and pre-wired by Jet. It is 115V, single phase.
 - Helpful Hint: The safest and easiest way to carry blower is to grab the inlet pipe (under inlet hood) and use it as a handle (Fig. E).



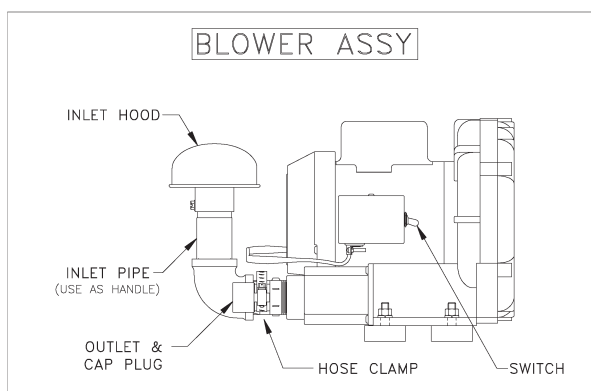
b. Extension Cord.

- A 100 ft., 12-gauge cord, with ground fault interrupter, powers the blower.
- Extension cord should not be connected to aerator circuit or wiring.
- Extension cord must be connected to a 15 amp circuit. Most circuits in or connected to building are 15 or 20 amps. If in doubt, check main electrical panel.

c. International Wiring.

- If your electrical service is not 115V, revise wiring in blower junction box. Wiring instructions are on a label inside junction box and on blower. These also appear in blower manufacturer's literature.

Figure E



4. Portable Generator

- It is recommended that all service vehicles be equipped with a 15 amp portable generator. This can power blower in cases where there is no access to an electrical outlet. Generators weigh between 70 and 80 pounds and have a 3 hole electrical outlet. When needed, just plug in the extension cord and connect it to blower at the tank.
- Jet does not stock portable generators because they are readily available in hardware stores, home centers, camping supply stores and catalogs. Also, it may be possible to buy a generator at a lower price than we could sell to you.
- The generator should have a 15 amp, 2500 watt capacity and be able to handle a 23 amp starting surge.

B. Plants without Risers - Fixed Air Diffuser Tool

1. Tools

- Media air cleaning tool – fixed diffuser.
- Blower and air hose.
- 12-gauge extension cord and ground fault interrupter. Connect cord to an electrical outlet at building.
- Portable, gas powered generator is optional, but recommended. See Item A.4. above.
- Jet Installers' Tool Kit.

2. Tool Preparation

- a. Assemble fixed air diffuser tool. See Fig. A.
- b. Remove cap plug from blower outlet and set aside. Connect air hose to blower outlet and Media air cleaning tool using hose clamps provided. Replace cap plug when done – it prevents debris from entering blower when not in use.
- c. Connect electric power.
 - Use 12-gauge extension cord and ground fault interrupter for safety.
 - DO NOT connect blower to aerator circuit – it will trip circuit breaker.
 - Extension cord must be connected to a 15 or 20 amp circuit. Most circuits in or connected to building are 15 or 20 amps. If in doubt, check main electrical panel.

3. Remove Aerator

- a. See instructions in Item A.3. if necessary.

4. Lower Tool in Tank

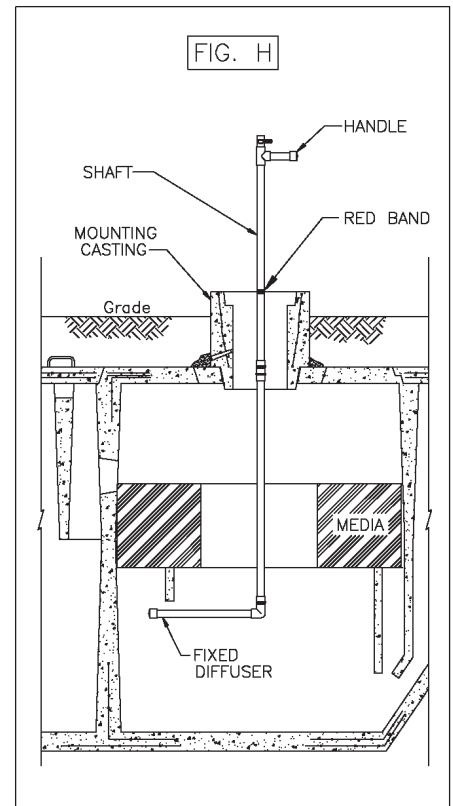
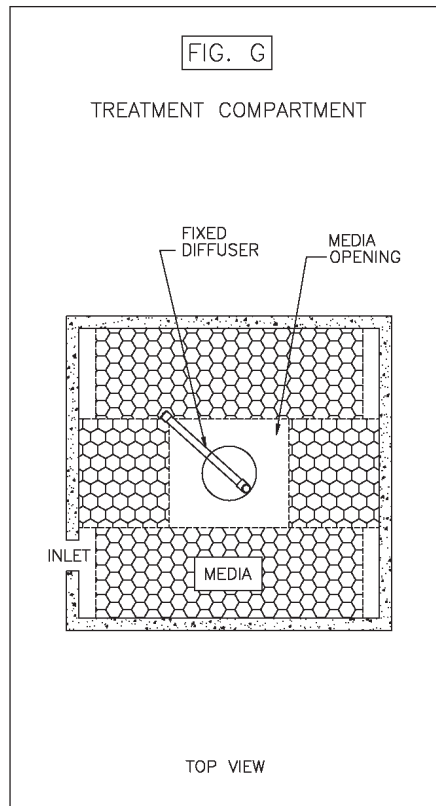
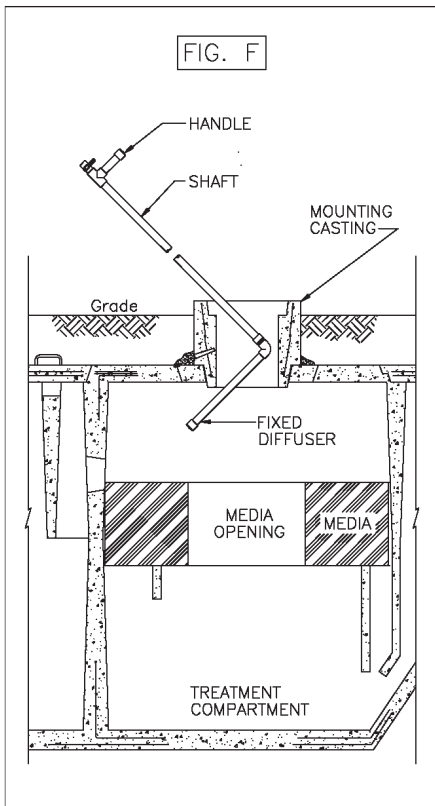
- a. You must always be aware of the position of diffuser when cleaning. As an aid to this, assemble tool so handle is directly over or 180° away from diffuser, Fig. H. This allows you to track diffuser position by watching handle position.
- b. Before using tool, hand test each joint to make sure it is snug.
- c. To begin, position diffuser as shown in Fig. H by following steps below.
 - With diffuser in position (Fig. F), tilt shaft upwards while lowering it, so elbow on end of diffuser clears mounting casting. Now diffuser is in space above media, with shaft straight up and down.
 - To get diffuser into position (Fig. H), slowly raise shaft until diffuser gently contacts lip of mounting casting or inside of tank lid. From this point lower shaft about 3” down into tank and point diffuser tip toward any corner of center Media opening. Move tool away from that corner until it contacts mounting casting (Fig. G).
 - Tilt shaft to angle shown in Fig. F and, keeping tool tilted, slowly lower diffuser through center media opening. DO NOT force diffuser if it makes contact with media – raise tool a few inches and try different diffuser angles by tilting tool. If this doesn't work, carefully raise tool above media and try procedure in different corners of Media opening.
- d. Continue slowly lowering shaft until diffuser makes gentle contact with tank floor. It is important to lower tool slowly and never drop it. Now, position shaft

in center of mounting casting. Put tool at correct depth for cleaning Media by aligning red band on shaft with top edge of mounting casting (Fig. H). Turn shaft so diffuser is pointing toward inlet end of tank (Fig. H).

- e. Turn blower “On”.

5. Fixed Diffuser Tool Use

- a. Fig. I shows path your cleaning tool will take. It starts at No. 1, goes around tank through 2, 3, etc. and ends back at No. 1.
 - b. In Fig. J, techniques 1 and 2 are used in tank cleaning. In following instructions below, move tool slowly to do a complete job. You should spend at least five minutes air cleaning the Media.
- C. Fig. J Technique 1 deals with shaded areas. It starts at center of wall and cleans to a corner.
- With blower “On”, position cleaning tool so that shaft is in center of mounting casting and red band on shaft is aligned with top edge of mounting casting (Fig. H).
 - Next, hold handle in one hand and shaft in other. Move tool toward wall until shaft contacts mounting casting, Fig. K. Tool should be at center of wall, Fig. I, Position 1.
 - Tilt tool until tip of diffuser touches wall (Fig. L). Remember this point of contact and try to maintain it during entire cleaning procedure. Always keep contact between tip of diffuser and tank wall. This contact is easy to feel.
 - Keep these 2 objectives in mind as you move tool:
 1. Diffuser tip must always contact wall.
 2. Diffuser tip must always be at same depth in tank as when you started, Fig. L.
 - If you keep your mind on the 2 objectives and ignore all tilting, turning, raising and lowering you must do, it is an easy job. Now begin cleaning by moving shaft so diffuser tip travels from point 1 to corner 2 (Fig. I). To do this you will have to manipulate shaft and make changes in its position. This will cause red band to go out of alignment with mounting casting edge – this doesn't matter now.
- d. Fig. J Technique 2 deals with unshaded areas. It starts at a corner and cleans to center of wall. Start in corner 2 and clean to Point 3, Fig. I.
- The starting and ending depth is the same as Step c, Technique 1. This depth remains the same throughout Technique 2. However, red band will go back into alignment with mounting casting edge as shaft is tilted and moves toward Point 3.
 - Remember the following 2 objectives as you move



tool:

1. Diffuser tip must always contact wall.
 2. Always maintain diffuser tip at same depth in tank as when you started (Fig. M).
- Remembering the 2 objectives, start cleaning by moving shaft so diffuser tip travels from corner 2 to Point 3, Fig. I.
- f. Now, switch to Technique 1 and continue cleaning media from center of wall to corner. Switch techniques at every higher number until you have cleaned all around compartment and back to Point 1, Fig. I.

6. Fixed Diffuser Tool Use

- a. This section deals with cleaning areas behind hydraulic baffle and parts of Media closest to center Media opening. It is assumed that blower is still "On" and diffuser is under Media.
- b. Clean Media behind hydraulic baffle.
 - Lower diffuser to tank bottom and then raise it about 6". This positions diffuser a few inches lower than hydraulic baffle.
 - Turn shaft so diffuser points to corner 4, Fig. O.
 - With shaft in center of mounting casting, point diffuser toward corner. Tilt diffuser tip up and move it until it contacts corner (Fig. N). Remember the following 2 objectives as you move tool:
 1. Diffuser tip must always contact wall.

2. Always maintain diffuser tip at same depth in tank as when you started (Fig. N).

- Begin cleaning by moving diffuser under hydraulic baffle and along sloping end wall. Continue moving until diffuser touches opposite corner (6), (Fig. O).
 - Now move tool to center of tank and then into corner 4. Repeat above procedure one more time, going in same direction.
- c. Clean Media immediately surrounding Media opening.
- Position tool as shown in Fig. H. Maintaining this position and depth, slowly rotate tool clockwise 360°. When rotating tool, try to keep shaft in center of mounting casting. Diffuser tip may contact wall. If this happens, move diffuser a little away from wall and continue rotating tool. Complete one circle.
- #### 7. Remove Tool
- a. Turn blower "Off".
 - b. Position diffuser with tip pointing toward corner and shaft touching mounting casting wall away from corner, Fig G.
 - c. Next, tilt top of shaft toward corner that diffuser is pointing to lower tip of diffuser.
 - d. Holding this position, carefully raise cleaning tool up through center Media opening. Be sure not to catch

diffuser on Media. Do not force diffuser if it makes contact with Media – try different diffuser angles by tilting tool, or try a different corner of Media opening.

- e. When diffuser is above Media, tilt shaft and guide diffuser through mounting casting, Fig. F.
- f. CAUTION! In freezing weather immediately drain any water out of tools after use. Experience has shown that when temperatures are below freezing, water left in tools freezes rapidly. Immediate draining is required.
- g. This completes fixed diffuser air tool instructions. If this completes the service call, reinstall aerator.

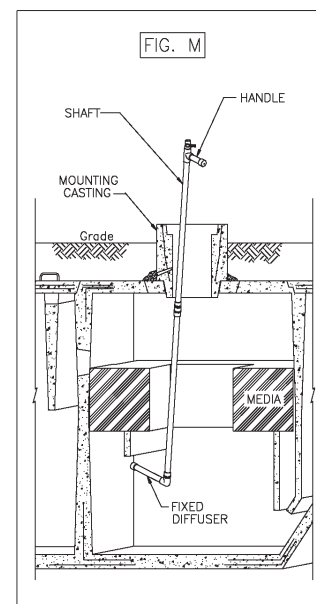
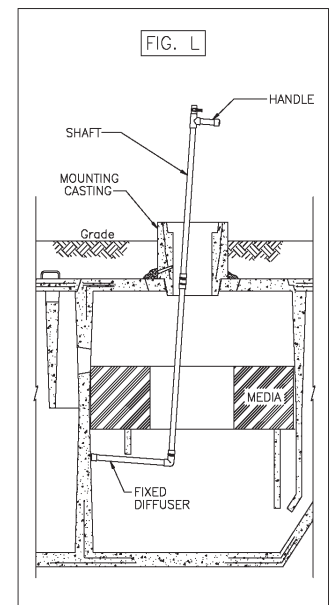
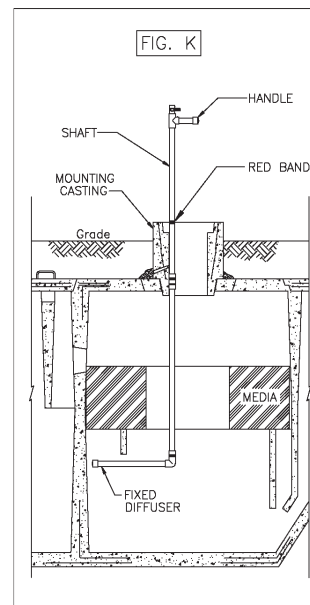
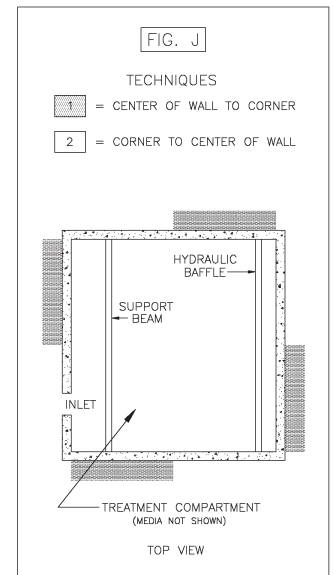
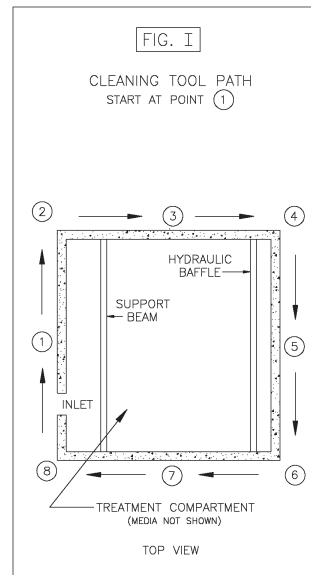
C. Plants with One or More Risers - Hinged Air Diffuser Tool

1. Tools

- a. Media air cleaning tool – hinged diffuser.
- b. Blower and air hose.
- c. 12-gauge extension cord and ground fault interrupter.
Connect cord to an electrical outlet at building.
- d. Portable, gas powered generator is optional but recommended.
- e. Jet Installer's Tool Kit.

2. Tool Preparation

- a. Assemble hinged air diffuser tool. See Fig. B.
- b. Hinged diffuser must swing freely. If threads are dirty or damaged there is a chance hinged diffuser will not swing up into proper operating position when blower is turned "On". If cleaning is needed, consult Figs. B and C and clean hinged joint as follows:
 - Remove diffuser stop.
 - Remove hinged diffuser.
 - Clean and wash hinged joint threads. Lubricate with spray lubricant such as silicone or teflon. DO NOT use oil-based lubricant.
 - Reassemble unit and see that diffuser swings freely.
- c. Remove cap plug from blower outlet and set aside. Connect air hose to blower outlet and Media air cleaning tool using hose clamps provided. Replace cap plug when done – it prevents debris from entering blower when not in use.
- d. Connect electric power.
 - Use 12-gauge extension cord and Ground Fault Interrupter for safety.
 - DO NOT connect blower to aerator circuit – it will trip circuit breaker.
 - Extension cord must be connected to a 15 or 20 amp circuit. Most circuits in or connected to building are 15 or 20 amps. If in doubt, check main



electrical panel.

3. Remove Aerator

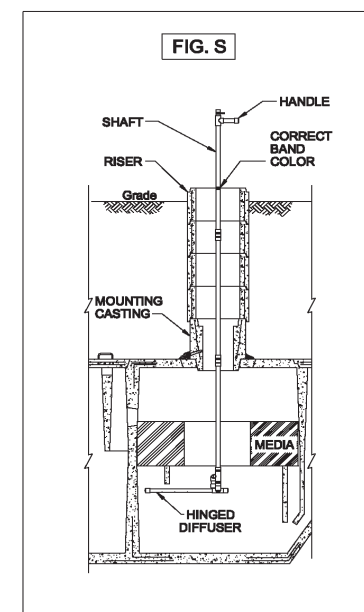
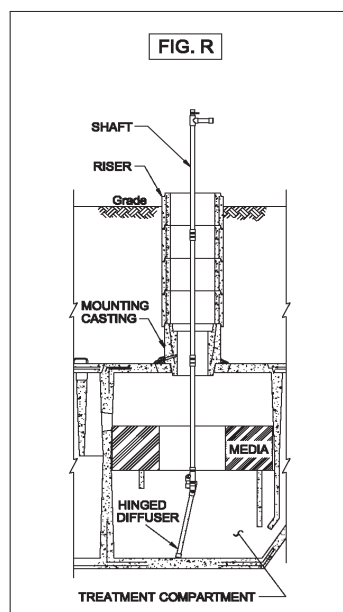
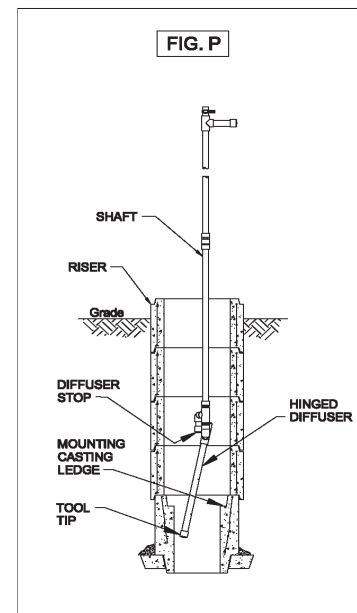
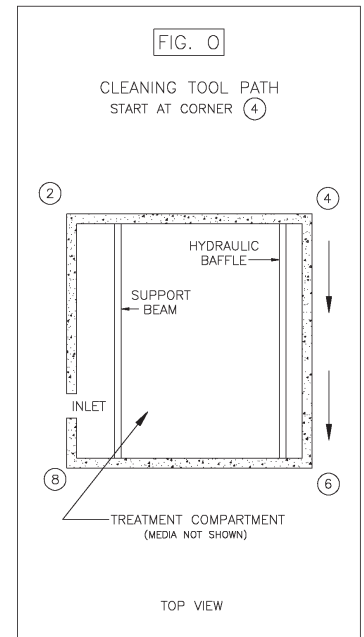
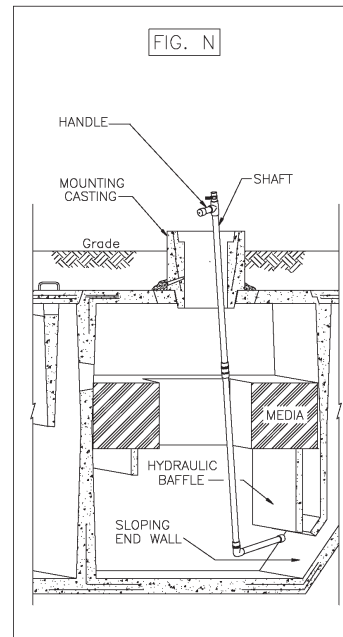
- a. See instructions in Item 3 if necessary.

4. Lower Tool in Tank

- a. You must always be aware of position of diffuser when cleaning. As an aid to this, assemble tool so handle is directly over or 180° away from diffuser (Fig. S). This allows you to track diffuser position by watching handle location.
- b. Before using tool, hand test each joint to make sure it is snug.
- c. With diffuser hanging down (Fig. P), guide tool slowly through riser(s). As you lower tool, be very careful that tool tip and diffuser stop do not touch mounting casting ledge (Fig. P). If resistance is felt, move tool slowly toward center of tank until there is no resistance and continue lowering. When tool tip enters tank, continue lowering through center Media opening. Be very careful not to let tool tip or diffuser stop touch or “catch” on Media. Ways to prevent this are: if tool touches Media, move it away; lower tool slowly and use flashlight on plants with multiple risers.
- d. When tool tip is through center Media opening, lower tool very slowly until gentle contact is made with tank floor. To prevent damage to tool, do not drop it or lower it too quickly.
- e. Raise shaft about 1/4” and turn blower “On”. Diffuser should swing up to a right-angle operating position (Fig. S). If the hinged joint threads are dirty or damaged, diffuser may not swing up into position. In this case, press shaft down against tank floor to move diffuser into position.
- f. See Tool Depth Guide chart (Fig. T), and select correct band color to match number of risers this installation has.
 - Align correct band color on shaft with top edge of top riser. This puts tool at correct depth for cleaning Media.

5. Hinged Diffuser Tool Use

- a. The cleaning tool will take the path shown on Fig. I. It starts at No. 1, goes around tank through 2, 3, etc. and ends back at No. 1.
- b. Techniques 1 and 2 are used in tank cleaning. Shaded areas, from center of wall to corners, Fig. J, use Technique 1. Unshaded areas use Technique 2.
- c. In the instructions below, move tool slowly to do a complete job. You should spend at least 5 minutes air cleaning Media.



d. Technique 1 deals with shaded areas, Fig. J. It always starts at center of wall and cleans to a corner, Fig. I.

- With blower “On”, position cleaning tool so shaft is in center of riser(s). Make sure correct band color on shaft is aligned with top edge of top riser (Fig. T).
- Next, hold handle in one hand and shaft in other. Move tool toward wall until tip of diffuser contacts wall (Fig. U). Tool should be at center of wall, Position 1, Fig. I.
- Remember this point of contact and try to maintain it during entire cleaning procedure. Always keep contact between tip of diffuser and tank wall. This contact is easy to feel.
- Keep only two (2) objectives in mind as you move tool.
 1. Diffuser tip must always contact wall.
 2. Diffuser tip must always be at same depth in tank as when you started (Fig. U).
- Move shaft so diffuser tip travels from Point 1 to corner 2, Fig. I. To do this you will have to manipulate shaft and make changes in its position. This will cause correct band color to go out of alignment with top riser—this doesn’t matter now.

e. Technique 2 deals with unshaded areas, Fig. J. It always starts at corners and cleans to center of wall. Start in corner 2 and clean to Point 3, Fig. I.

- The starting and ending depth is the same as Step

D., Technique 1. This depth remains the same throughout Technique 2. However, correct band color will go back into alignment with top riser edge as shaft is tilted and moves toward Point 3.

- Remember the following 2 objectives as you move tool,
 1. Diffuser tip must always contact wall.
 2. Always maintain diffuser tip at same depth in tank as when you started (Fig. V).
- Remembering the 2 objectives, start cleaning by moving shaft so diffuser tip travels from corner 2 to Point 3, Fig. I.

f. Now, switch to Technique 1 and continue cleaning Media from center of wall to corner. Switch techniques at every high number until you have cleaned all around compartment and back to Point 1, Fig. I.

6. Hinged Diffuser Tool Use

a. This section deals with cleaning areas behind hydraulic baffle and parts of the Media closest to center Media opening. It is assumed that blower is still “On” and diffuser is under Media.

b. Clean Media behind hydraulic baffle.

- Lower diffuser to tank bottom and then raise it about 6”. This positions diffuser a few inches lower than hydraulic baffle.
- Turn shaft so diffuser points to corner 4, Fig. O.
- With shaft in center of mounting casting, point

FIG. T

TOOL DEPTH GUIDE		
Risers	Band Color	Diffuser
0	Red	Fixed
1	Yellow	Hinged
2	Green	Hinged
3	Orange	Hinged
4	Blue	Hinged
5	Gray	Hinged

FIG. U

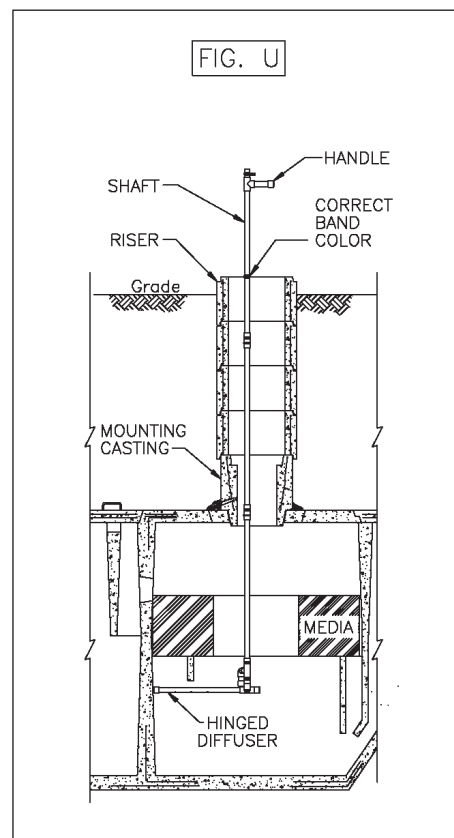
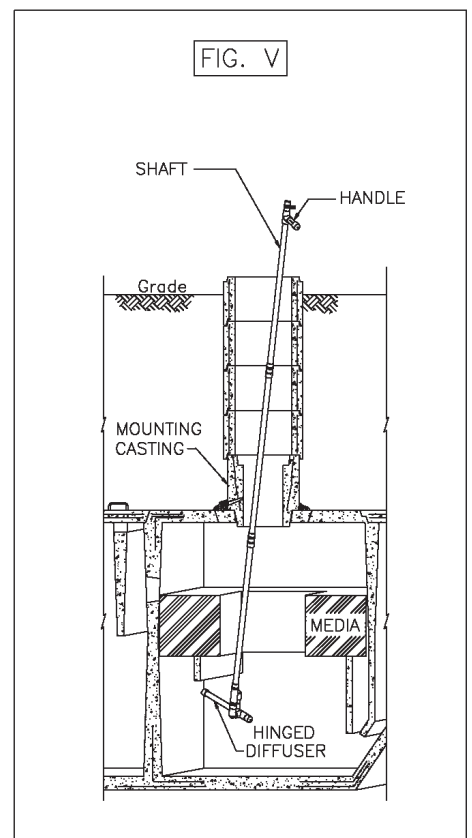


FIG. V



diffuser toward corner. Tilt diffuser tip up and move it until it contacts corner (Fig. W).

- Remember the following 2 objectives as you move tool:
 1. Diffuser tip must always contact wall.
 2. Always maintain diffuser tip at same depth in tank as when you started (Fig. W).
 - Begin cleaning and moving diffuser under hydraulic baffle and along sloping end wall. Continue moving until diffuser touches opposite corner 6, Fig. O.
 - Now move tool to center of tank and then into corner 4. Repeat above procedure one more time, going in same direction.
- c. Clean Media immediately surrounding Media opening.
- Match band color to number of risers, Fig. T. This raises diffuser to proper height.
 - Now, position shaft in center of Media opening with diffuser pointing to corner 2, Fig. X.
 - Maintain above position and begin cleaning by slowly moving tool clockwise in one circle. Maintain starting height.
 - As you move tool clockwise you will feel points of mild resistance at center of wall (Fig. X). Try to maintain wall contact but allow tool to move off

center at resistance points and keep tool moving slowly. Complete one circle.

7. Remove Tool

- a. Turn blower "Off". Diffuser will swing down.
- b. Center shaft in mounting casting and position tool as shown, Fig. R.
- c. Very carefully lift tool and remove it from tank. Keep shaft and diffuser in center of Media opening to avoid stop or fittings from catching on Media.
- d. CAUTION! In freezing weather immediately drain any water out of tools after use. Experience has shown that when temperatures are below freezing, water left in tools freezes rapidly.
- e. This completes hinged diffuser air tool instructions. If this completes the service call, reinstall aerator.

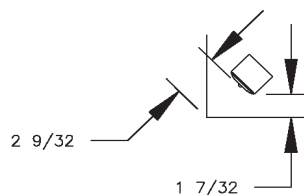
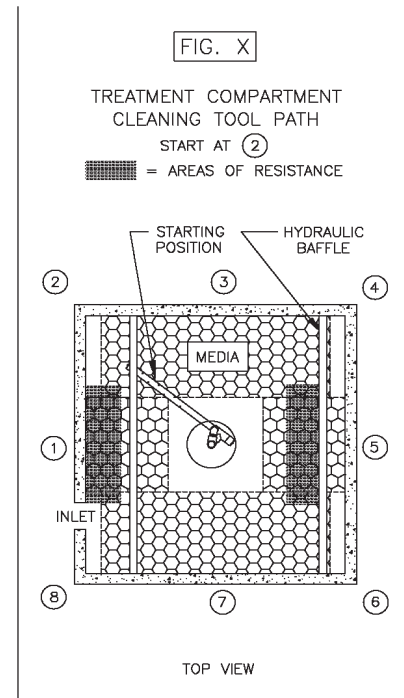
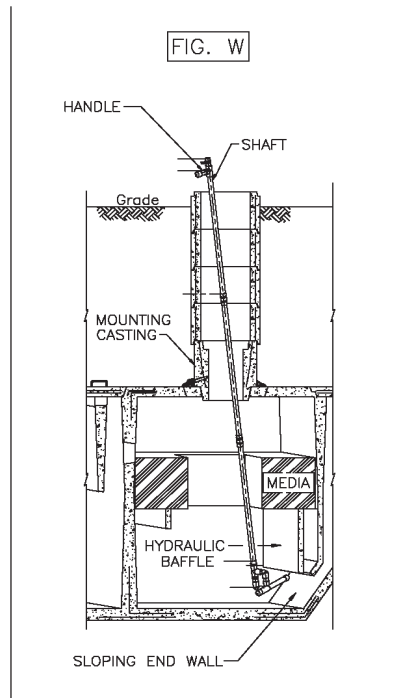
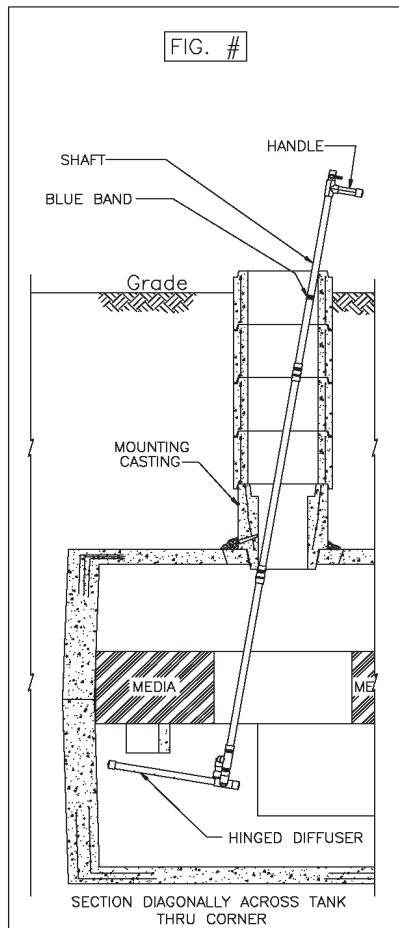
D. Media Cleaning and Tank Pumping

1. For Bat® Media Plants

- a. J-500 formerly known as J-353, is Jet's current 500 gpd Media plant models. The J-500 model is NSF listed. All instructions in this section apply to all above models.

2. Coordinate Pumper, Service Person & Homeowner

- a. Every three (3) years or as needed, it is necessary



for the tank pumper and Jet service person to coordinate meeting together at the job site to clean the Media and pump the tank.

- There is work the service person needs to do before the pumper can start. The chart on the following page shows the pumper and service person work together for a large part of the time. The pumper should be scheduled to arrive at the same time the service person arrives.
- It is also wise to make an appointment with the homeowner before scheduling a service call. A water faucet with standard hose threads and a 15 amp electrical outlet must be available – unless you have a portable generator. Even if someone can't be home, a phone call ahead of time would allow them to tell you where the water and a 15 amp electrical outlet are. Also, if lines to the outside water faucet are turned "Off" (winter weather) the homeowner could be alerted to turn the water "On".
- It is a wise idea for the service person to take notes of where the utilities are – for use on future service calls.

3. Remove Aerator

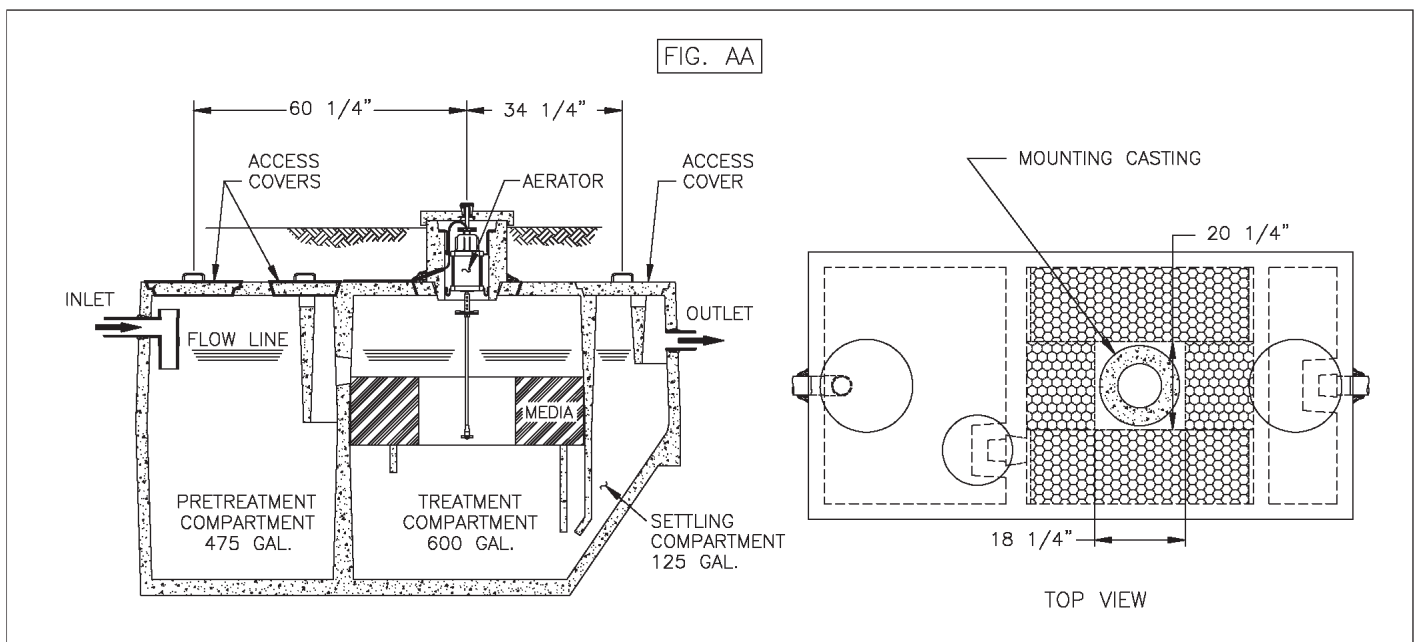
- CAUTION! The life of an aerator depends on a straight shaft. The straightness of a shaft is held to high tolerance when it leaves the factory. Be extremely careful when removing and reinstalling the aerator – never let the shaft or foam restrictor touch anything! After the aerator is removed from the tank, you may set it on the mounting casting

- cover so that the shaft and foam restrictor overhang the edge of the cover and do not touch the ground.
- First, turn "Off" the power to the aerator at the aerator control panel or main electrical panel.
- Remove mounting casting cover.

- After the cover is removed, you will see a corrugated air hose which is connected to the top center of the aerator. This can be left in place, but be careful to avoid getting any material in or on the end of the air hose since it supplies air to the aerator.
- Disconnect and remove aerator.
 - If the aerator is wired with a watertight connector, unplug the connector. Remove the aerator from the mounting casting and set it aside carefully. Look above in the CAUTION section.
 - If the aerator is wired directly, there is enough cable to remove the aerator from the mounting casting and set it aside carefully. Look above in the CAUTION section.

4. Pump Treatment Compartment

- CAUTION! Never pump the treatment compartment unless the Media has first been air cleaned by the Jet service person! Otherwise, damage may result. The reason the pretreatment compartment is not pumped first is that doing this would lower the water level in the treatment compartment and make air cleaning of the Media ineffective.
- Directly below the aerator mounting casting, in the center, is an 18" x 20" Media opening (Fig. AA).



- With the pumping suction “Off”, slowly and carefully lower the hose through the Media opening to the bottom of the tank. Extreme care must be taken not to touch the Media or sides of the Media opening with the hose or tip of the hose. Media can be damaged by contact with the hose.
- When the tank has been completely pumped, carefully withdraw the hose from the tank.
- It is not necessary for more than one person to be sent with the pumping truck. The Jet service person is available while the pumping is going on and can assist the pumper if needed.

5. Reinstall Aerator

- Lower the aerator into the mounting casting. Be very careful to avoid any contact to the shaft & foam restrictor.
- The rubber bumpers on the lower aerator brackets should press against all sides of the mounting casting, but not so tight as to make it difficult to install the aerator. If the bumpers do not press against all sides, remove the aerator and bend the lower brackets “out” slightly. If the aerator was hard to remove because the bumpers were too snug, bend the lower brackets “in” slightly.
- Looking down at the installed aerator, rotate it clockwise until a bracket engages the anti-rotation block, which is cast in the mounting casting.
- Reconnect the watertight connector, if needed.

- Install a “drip loop” in the cable by pushing the cable down 1” or 2” below the point it enters the aerator. This “drip loop” channels any water running down the cable away from the aerator.
- Carefully position the air hose as follows:
 - First, remove the plastic cover from the green vent cap in the center of the concrete mounting casting or riser cover.
 - While replacing the concrete cover, guide the corrugated air hose into the vent cap opening on the inside of the concrete cover. Check this by looking into the top of the vent cap. The air hose should be in the vent cap body far enough to contact the stop at the top. Replace the plastic vent cap cover.
 - Important! Be sure the air hose is not bent or kinked when the cover is replaced. The air hose supplies fresh air for the treatment process and must not be blocked or restricted in any way.
- Turn power “On” to the aerator.

CAUTION: Air Clean Media Before Pumping Tank!

- Media must be air cleaned before the treatment compartment is pumped! If not, media can be displaced and damage may result.
- If the pretreatment compartment is pumped before the media is air cleaned, the water level in the entire tank will be lowered. This will make air cleaning the media ineffective.

SERVICE/PUMPING SEQUENCE J-500 PLANTS

Step #	Done By	Step Description
1	Service Person	Arrive, Tank tools to tank, Connect water hose & electrical cord
2	Service Person	Turn aerator power “Off”, Remove aerator - Pg. 10, item 3
3	Service Person	Air clean media, Disconnect blower power when air cleaning is finished - 0 Risers: Pg. 4, Sec. B, 1-5 Risers: Pg. 7, Sec. C
4	Pumper/ Service Person	Remove covers over pretreatment & settling compartments. If necessary, cut sod & remove soil, If pumper isn't ready, see note 2 below.
5	Pumper	Pump treatment compartment, See “CAUTION!” Above - Pg. 10, Fig. AA, Pg. 12, Item 4
6	Pumper	Pump pretreatment compartment, Do not hose down when finished - Pg. 10 Fig. AA
7	Pumper/ Service Person	Replace pretreatment & settling compartment covers, If needed, backfill & replace sod, Pumper is now free to leave
8	Service Person	Complete any 6-Month Inspection/Service work
9	Service Person	Reinstall Aerator, Leave Aerator running, Replace mounting casting cover or riser cover - Pg. 12, Item 5

* If pumper isn't ready, work on 6-Month Inspection/Service jobs.