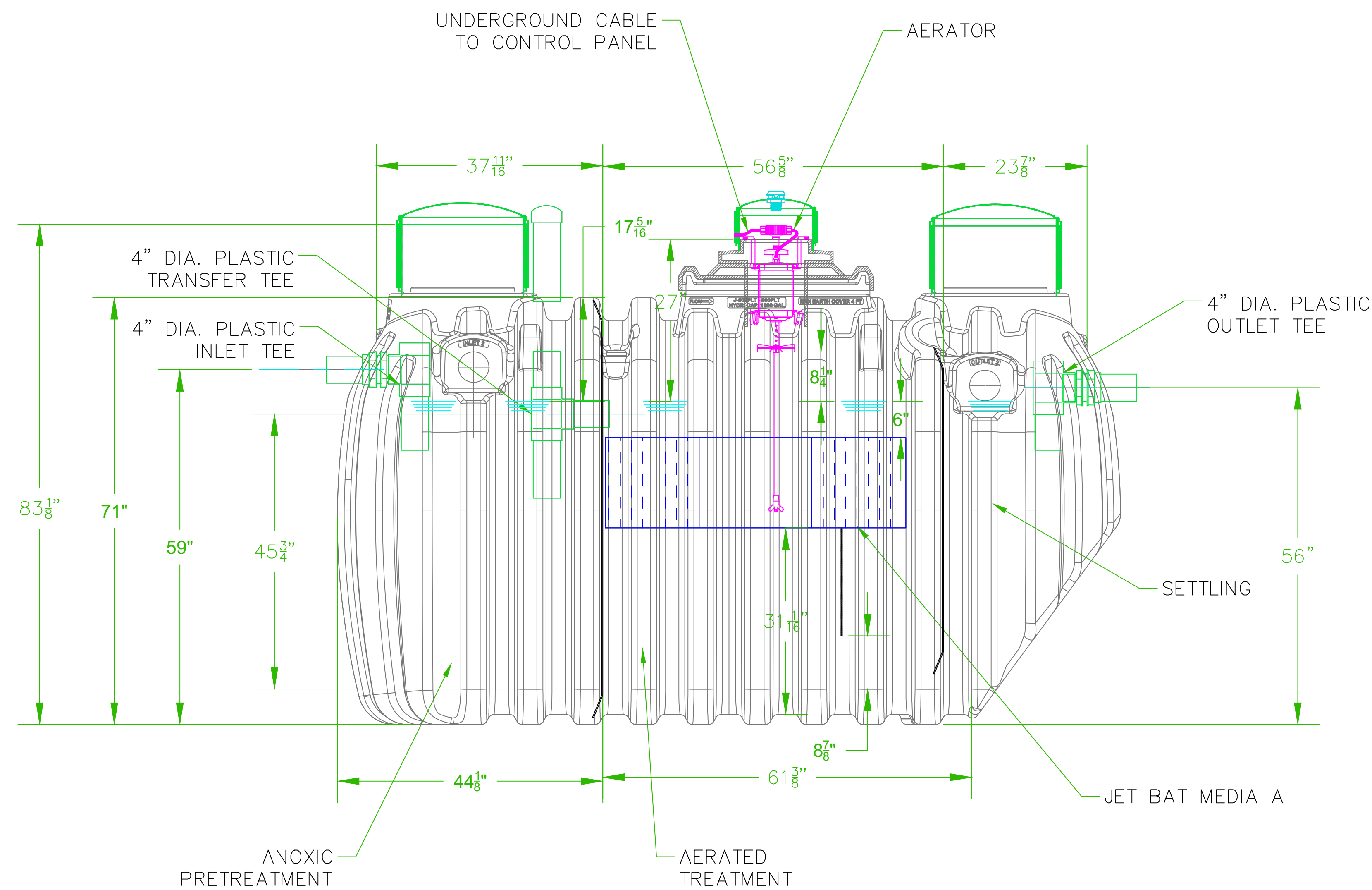
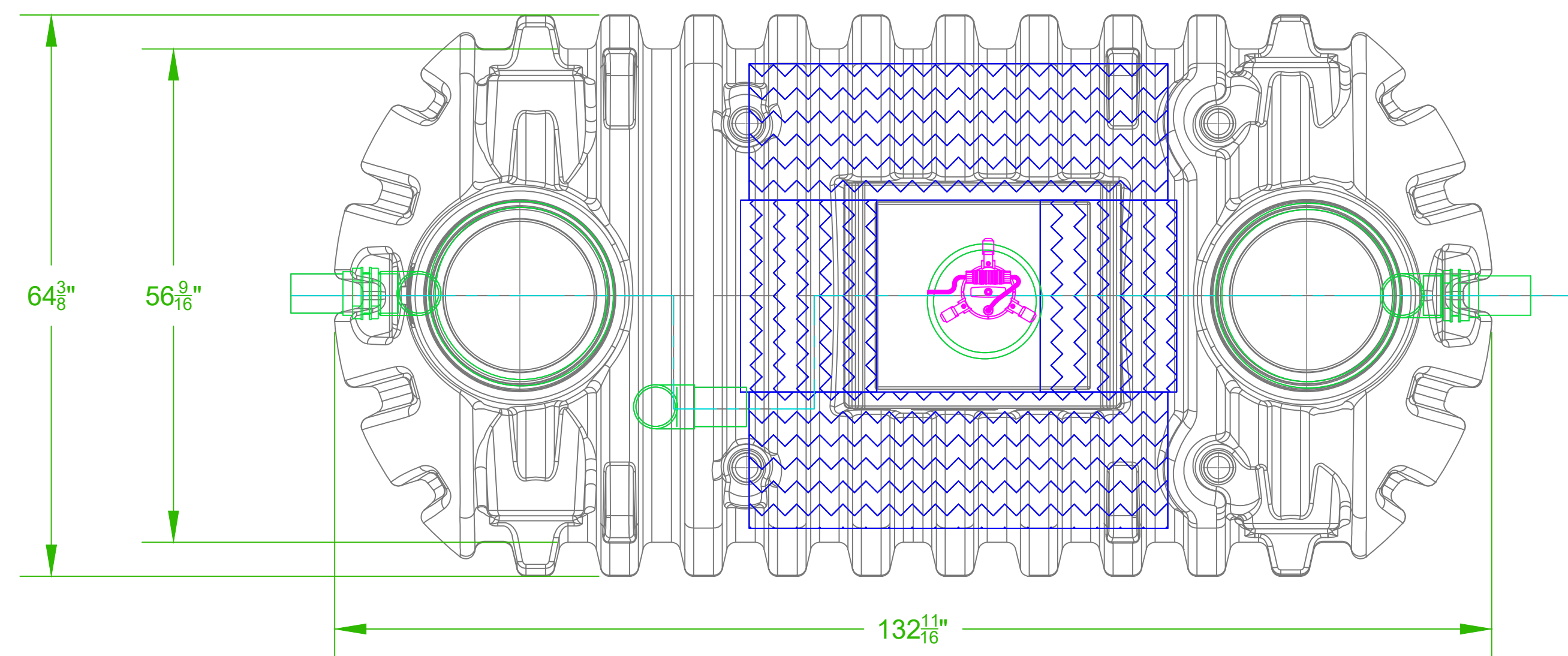


NOTES:

1. AERATOR MODEL 700LL MUST BE USED IN CONTINUOUS OPERATION
2. MAXIMUM BURIAL DEPTH 48" FROM TOP OF TANK



B	15099/1/15	CORRECT OUTLET PIPE HEIGHT	J	K	
A	1508/18/15	ADD FLOWRATE TO NOTES	N	J	K
--	1407/2/18/15	REDRAWN	N	J	K
REV	DATE	DESCRIPTION	DRFT	APRV	
		DRAWN BY:	DATE		
		BHD	11/13/24		
		APPROVED BY:	DATE:		
		MATERIAL:			
TITLE:		SCALE:	SIZE:		
J-500 RESIDENTIAL WWTP		1 : 20	C		
PLASTIC TANK		UNLESS OTHERWISE SPECIFIED:			
USED ON:		ALL DIMENSIONS ARE IN INCHES			
		DECIMAL: ± .005			
		FRACTIONAL: ± 1/64			
		DEGREE: ± 1'			
PROPRIETARY PROPERTY: THIS DRAWING IS THE PROPERTY OF JET INC. AND MAY NOT BE REPRODUCED, COPIED OR USED WITHOUT WRITTEN PERMISSION.		DRAWING NUMBER:		REV: B	
		J-500-PLT			