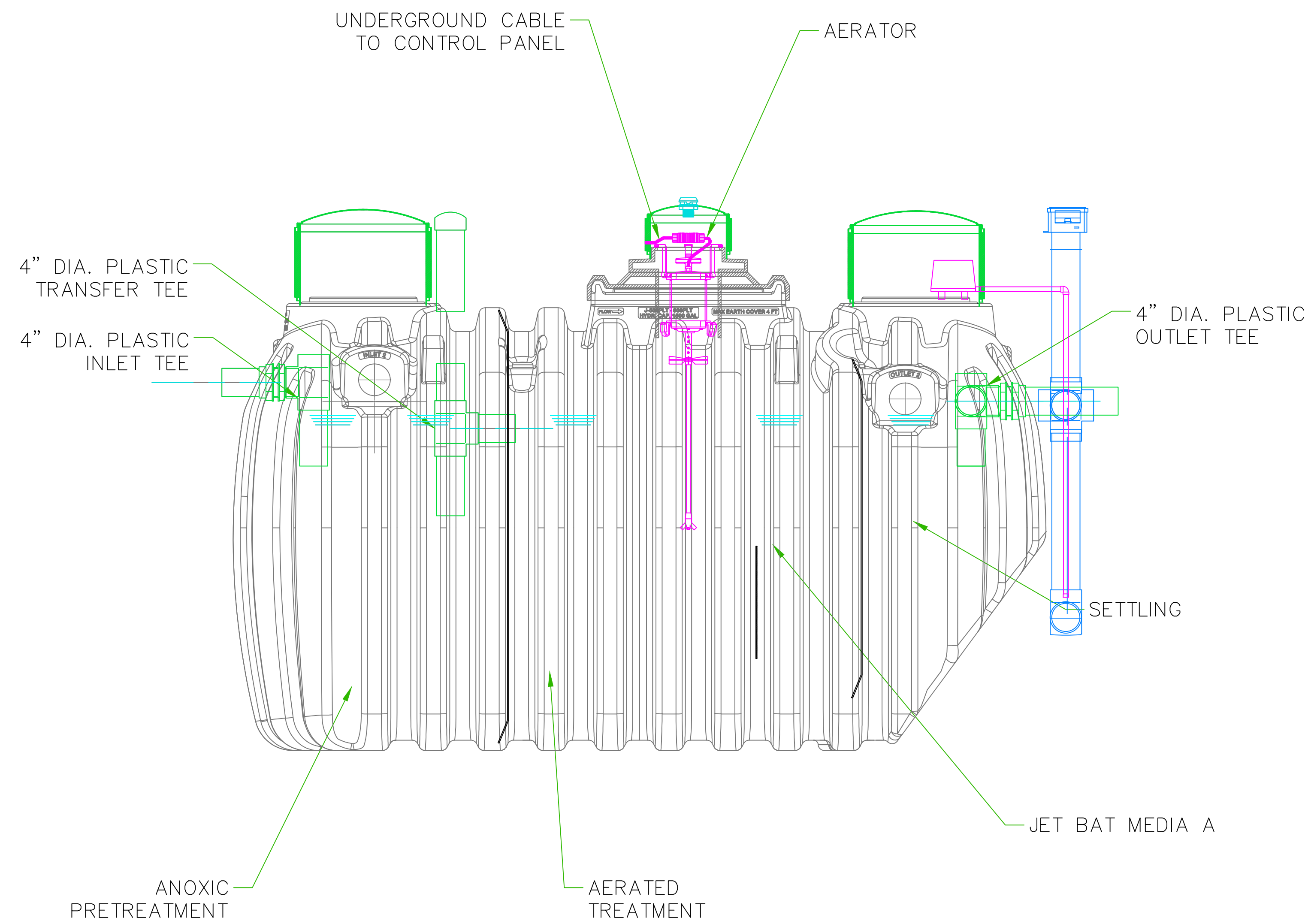
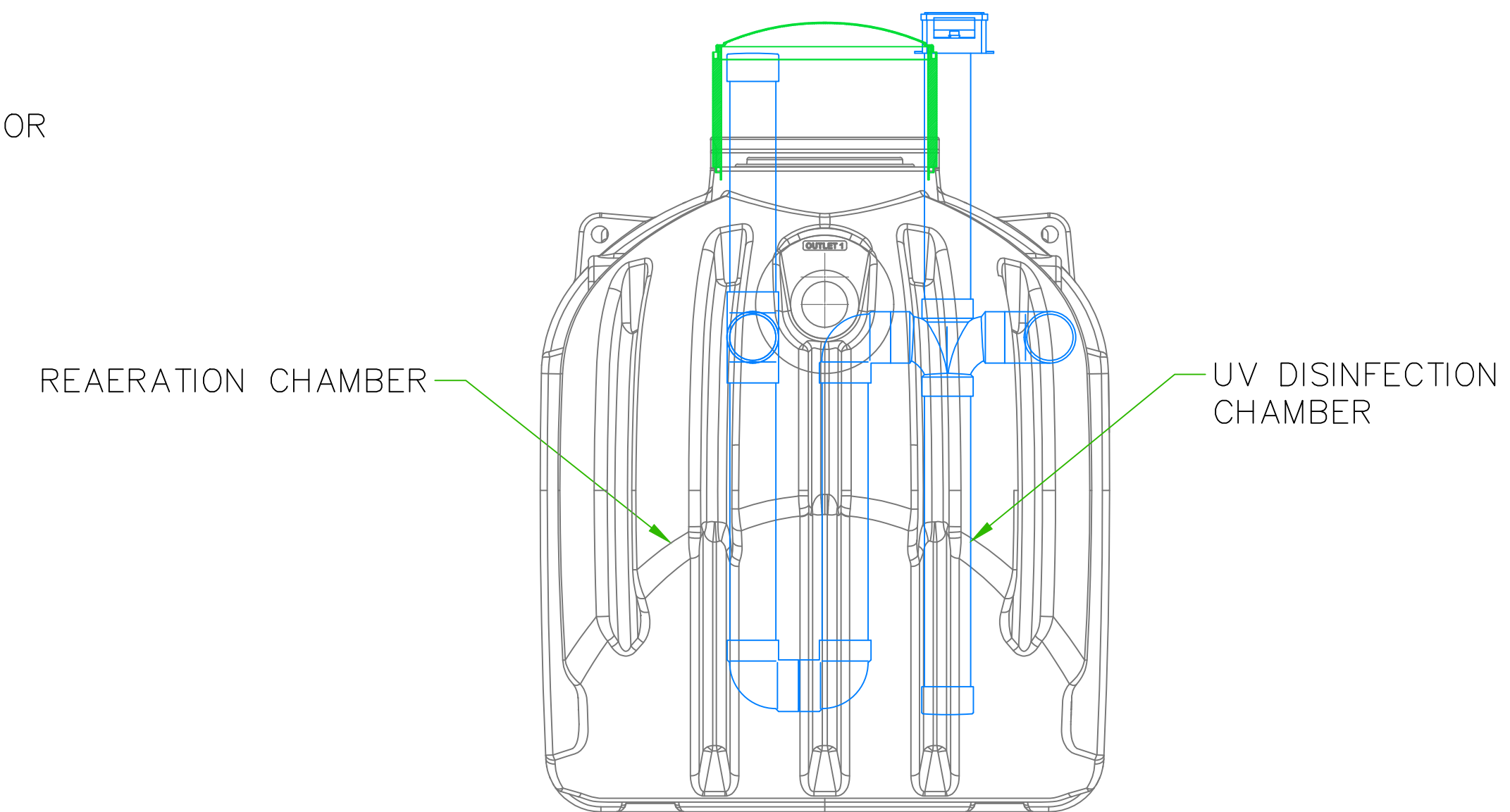
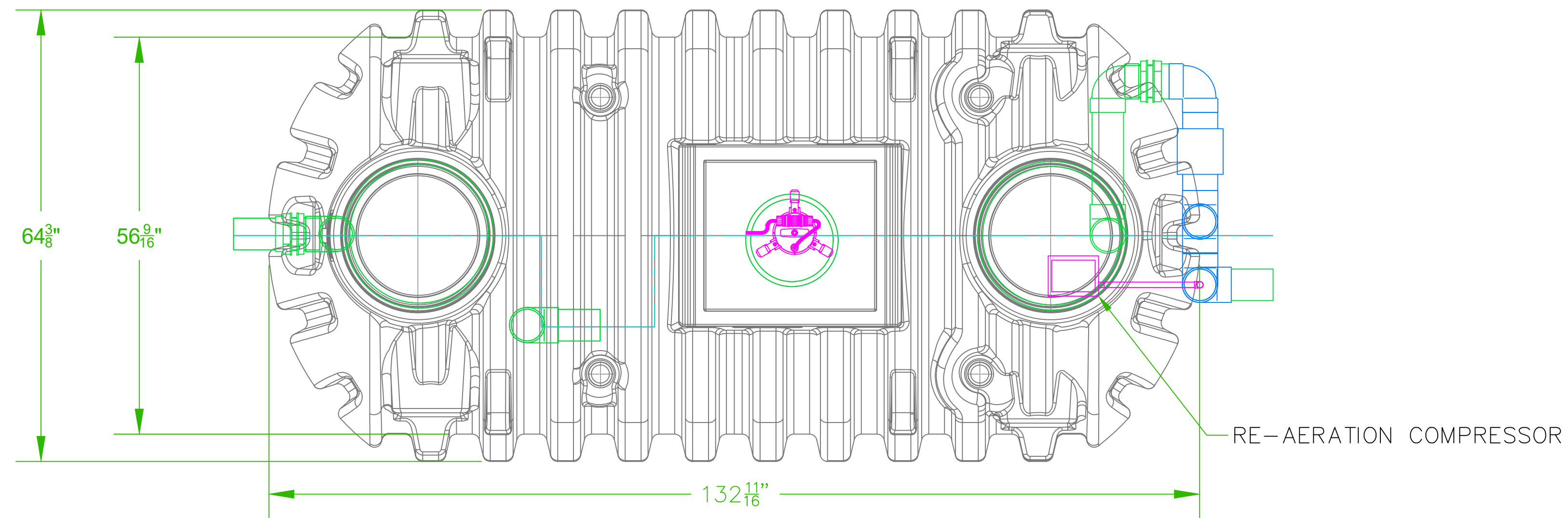


NOTES:

1. AERATOR MODEL 700LL MUST BE USED IN CONTINUOUS OPERATION
2. MAXIMUM BURIAL DEPTH 48" FROM TOP OF TANK



| | |
|--|------|
| A 15099/1/15 CORRECT OUTLET PIPE HEIGHT N J K | |
| -- 14078/18/15 REDRAWN N J K | |
| REV | DATE |
| | |
| Jet® Wastewater Treatment Solutions Founded on Innovation. Anchored by Service. | |
| TITLE: J-500 RESIDENTIAL WWTP PLASTIC TANK WITH UV DISINFECTION AND RE-AERATION | |
| SCALE: M : 20 SIZE: C | |
| UNLESS OTHERWISE SPECIFIED: ALL DIMENSIONS ARE IN INCHES DECIMAL: ± .005 FRACTIONAL: ± 1/64 DEGREE: ± 1° | |
| PROPRIETARY PROPERTY: THIS DRAWING IS THE PROPERTY OF JET INC. AND MAY NOT BE REPRODUCED, COPIED OR USED WITHOUT WRITTEN PERMISSION. | |
| DRAWING NUMBER: J-500-PLT-RAD REV: A | |