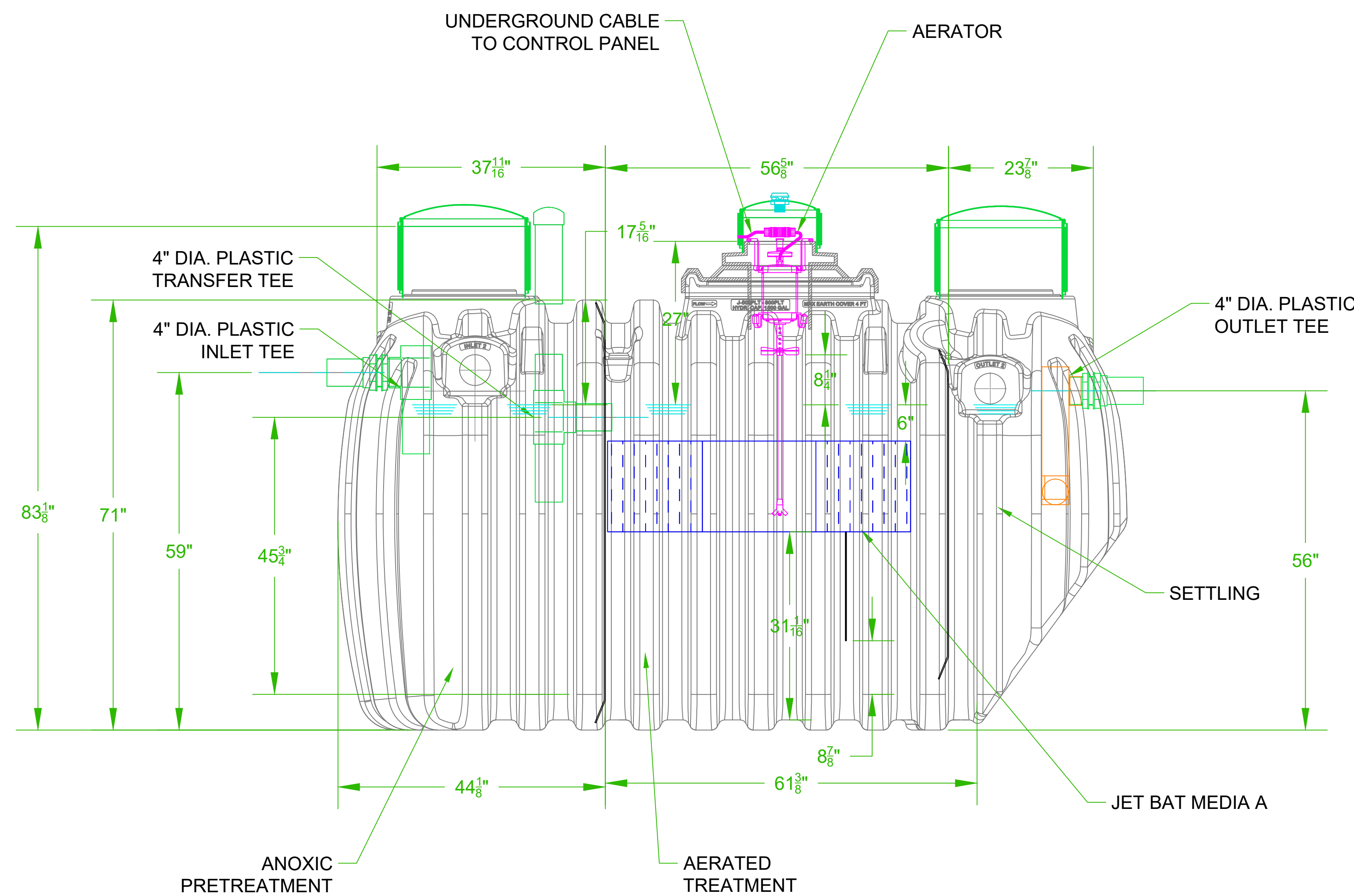
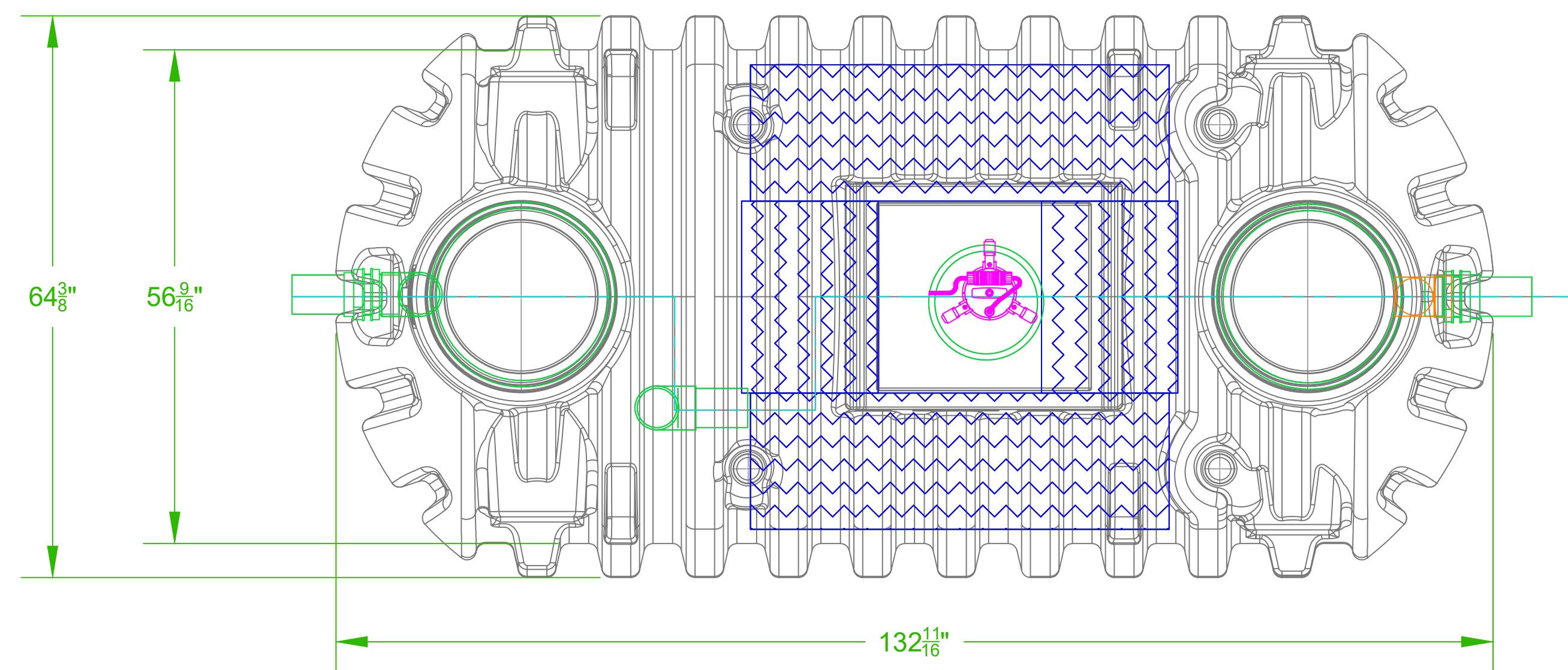


NOTES:

1. AERATOR MODEL 700LL MUST BE USED IN CONTINUOUS OPERATION
2. MAXIMUM BURIAL DEPTH 48" FROM TOP OF TANK



B	15099/1/15	CORRECT OUTLET PIPE HEIGHT	J K
A	1508/18/15	ADD FLOWRATE TO NOTES	N J K
--	1407/14/15	NEW DRAWING	N J K
REV	ECN	DATE	DESCRIPTION
			DRFT
			APRV
		DRAWN BY: N J K	DATE: 10/30/24
TITLE: J-500 RESIDENTIAL WWTP PLASTIC TANK WITH EFFLUENT FILTER		APPROVED BY:	
USED ON:		MATERIAL:	
PROPRIETARY PROPERTY: THIS DRAWING IS THE PROPERTY OF JET INC. AND MAY NOT BE REPRODUCED, COPIED OR USED WITHOUT WRITTEN PERMISSION.		SCALE: 1 : 20	
DRAWING NUMBER: J-500-PTL-F NEW TANK		SIZE: C	
REV: B		UNLESS OTHERWISE SPECIFIED: ALL DIMENSIONS ARE IN INCHES DECIMAL: ± .005 FRACTIONAL: ± 1/64 DEGREE: ± 1°	