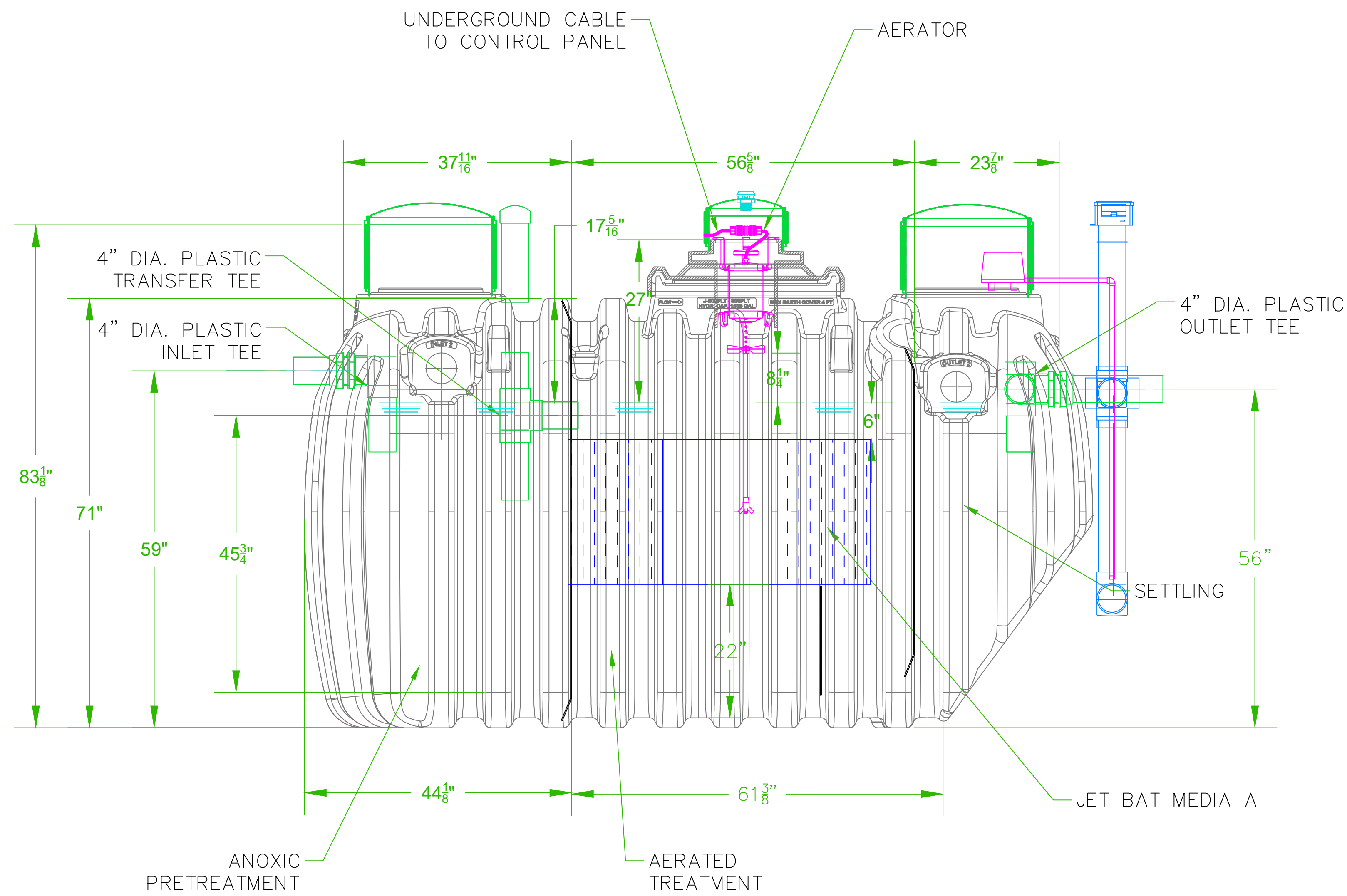
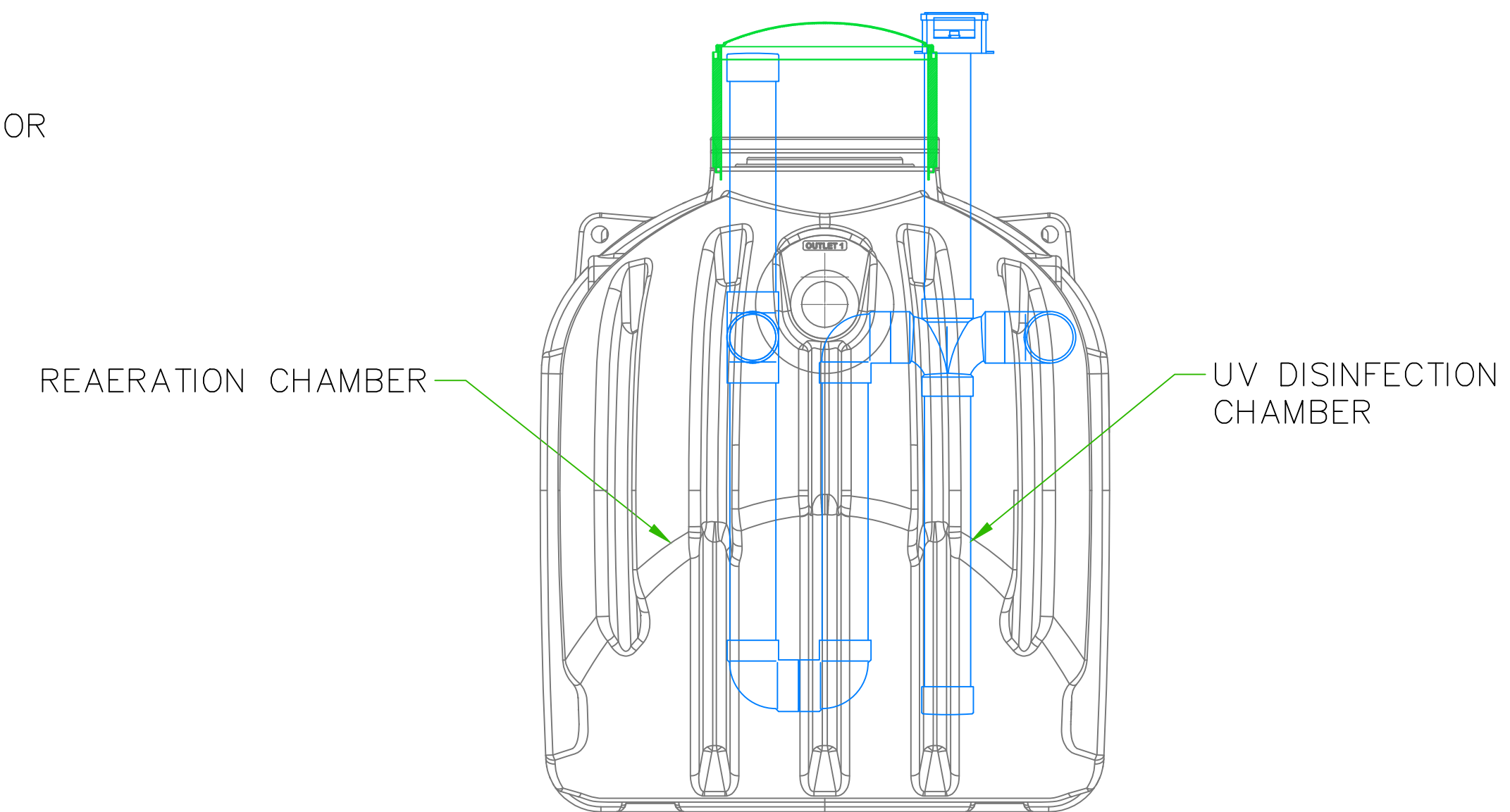
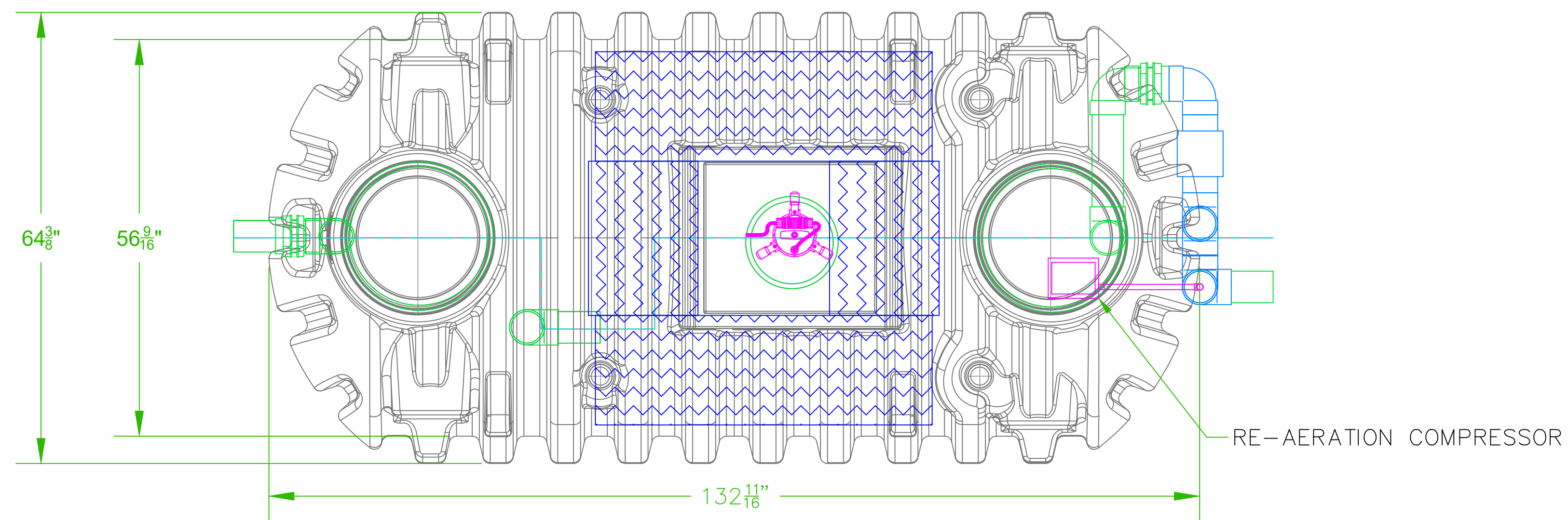



NOTES:

1. AERATOR MODEL 700LL MUST BE USED IN CONTINUOUS OPERATION
2. MAXIMUM BURIAL DEPTH 48" FROM TOP OF TANK



| | |
|--|---------------------------|
| A 15099/1/15/CORRECT OUTLET PIPE HEIGHT J K | |
| -- 14078/18/15/REDRAWN N J K | |
| REV | DATE DESCRIPTION DRFT/PRV |
|  | |
| DRAWN BY: BHD | DATE: 11/7/24 |
| APPROVED BY: DATE: | |
| MATERIAL: | |
| TITLE: J-800 RESIDENTIAL WWTP PLASTIC TANK WITH UV DISINFECTION AND RE-AERATION | |
| SCALE: 1" = 20' | SIZE: C |
| UNLESS OTHERWISE SPECIFIED: ALL DIMENSIONS ARE IN INCHES | |
| DECIMAL: ± .005 | |
| FRACTIONAL: ± 1/64 | |
| DEGREE: ± 1° | |
| PROPRIETARY PROPERTY: THIS DRAWING IS THE PROPERTY OF JET INC. AND MAY NOT BE REPRODUCED, COPIED OR USED WITHOUT WRITTEN PERMISSION. | |
| DRAWING NUMBER: J-800-PLT-RAD | |
| REV: A | |