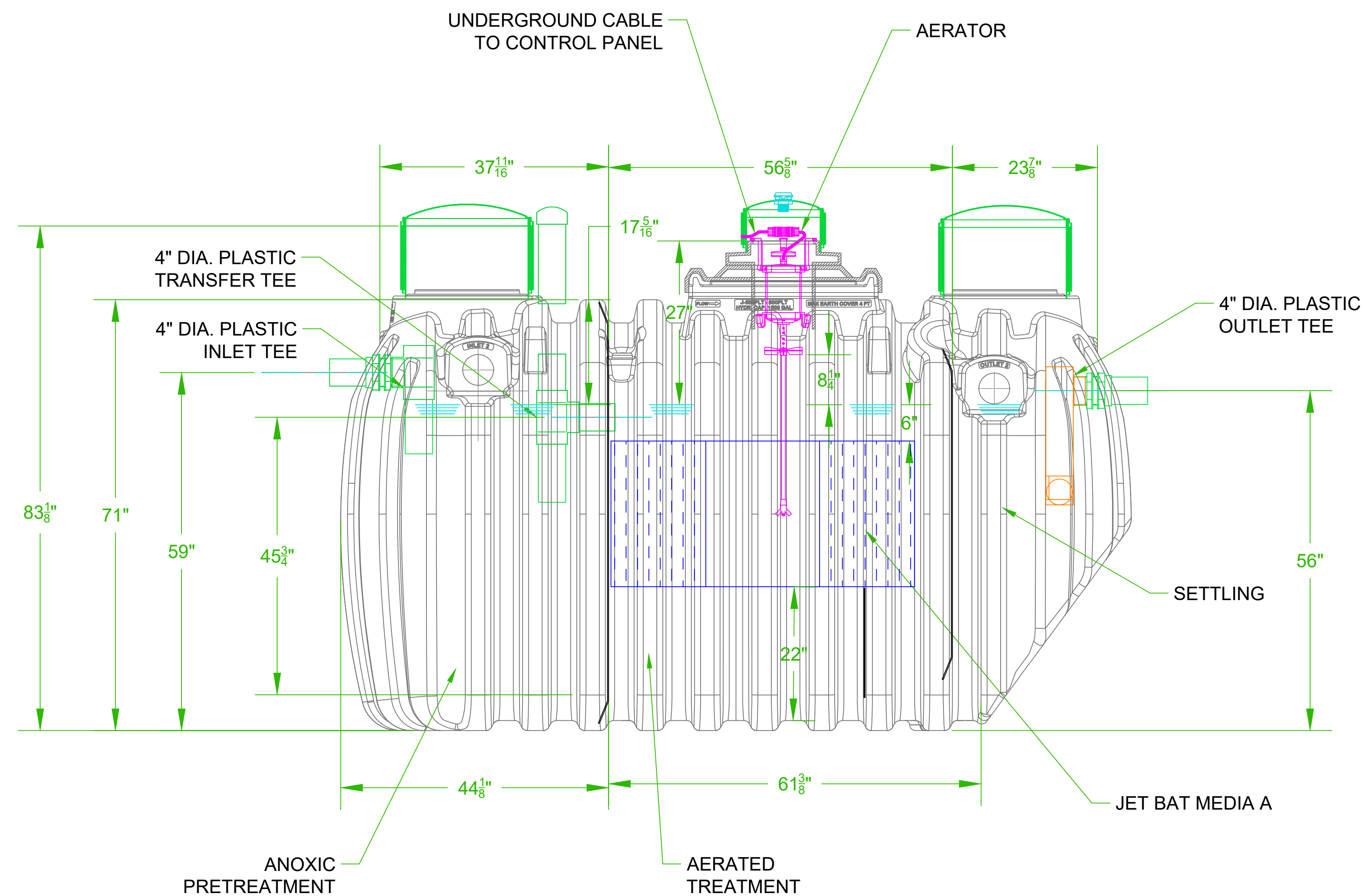
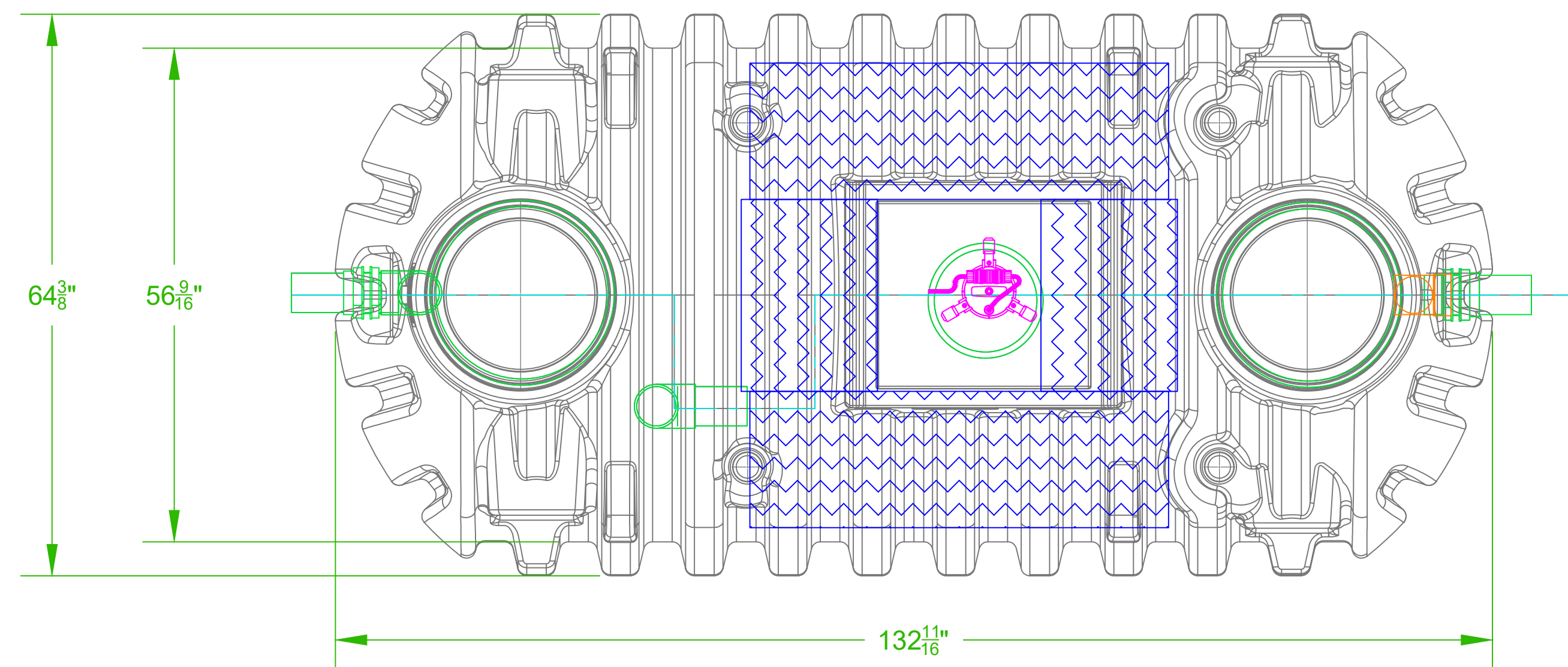


NOTES:

1. AERATOR MODEL 700LL MUST BE USED IN CONTINUOUS OPERATION
2. MAXIMUM BURIAL DEPTH 48" FROM TOP OF TANK



B	15099/1/15	CORRECT OUTLET PIPE	N J K
A	1508/18/15	ADD FLOWRATE TO NOTES	N J K
--	1407/14/15	NEW DRAWING	N J K
REV	DATE	DESCRIPTION	DRFT/PRV
DRAWN BY:		DATE:	
N J K		11/7/24	
APPROVED BY:		DATE:	
MATERIAL:			
TITLE:		SCALE:	
J-800 RESIDENTIAL WWTP		1 : 20	
PLASTIC TANK FITH EFFLUENT		SIZE:	
FILTER		C	
USED ON:		UNLESS OTHERWISE SPECIFIED:	
		ALL DIMENSIONS ARE IN INCHES	
		DECIMAL: ± .005	
		FRACTIONAL: ± 1/64	
		DEGREE: ± 1'	
PROPRIETARY PROPERTY: THIS DRAWING IS THE PROPERTY OF JET INC. AND MAY NOT BE REPRODUCED, COPIED OR USED WITHOUT WRITTEN PERMISSION.		DRAWING NUMBER:	
		J-800-PTL-F NEW TANK	
		REV: B	