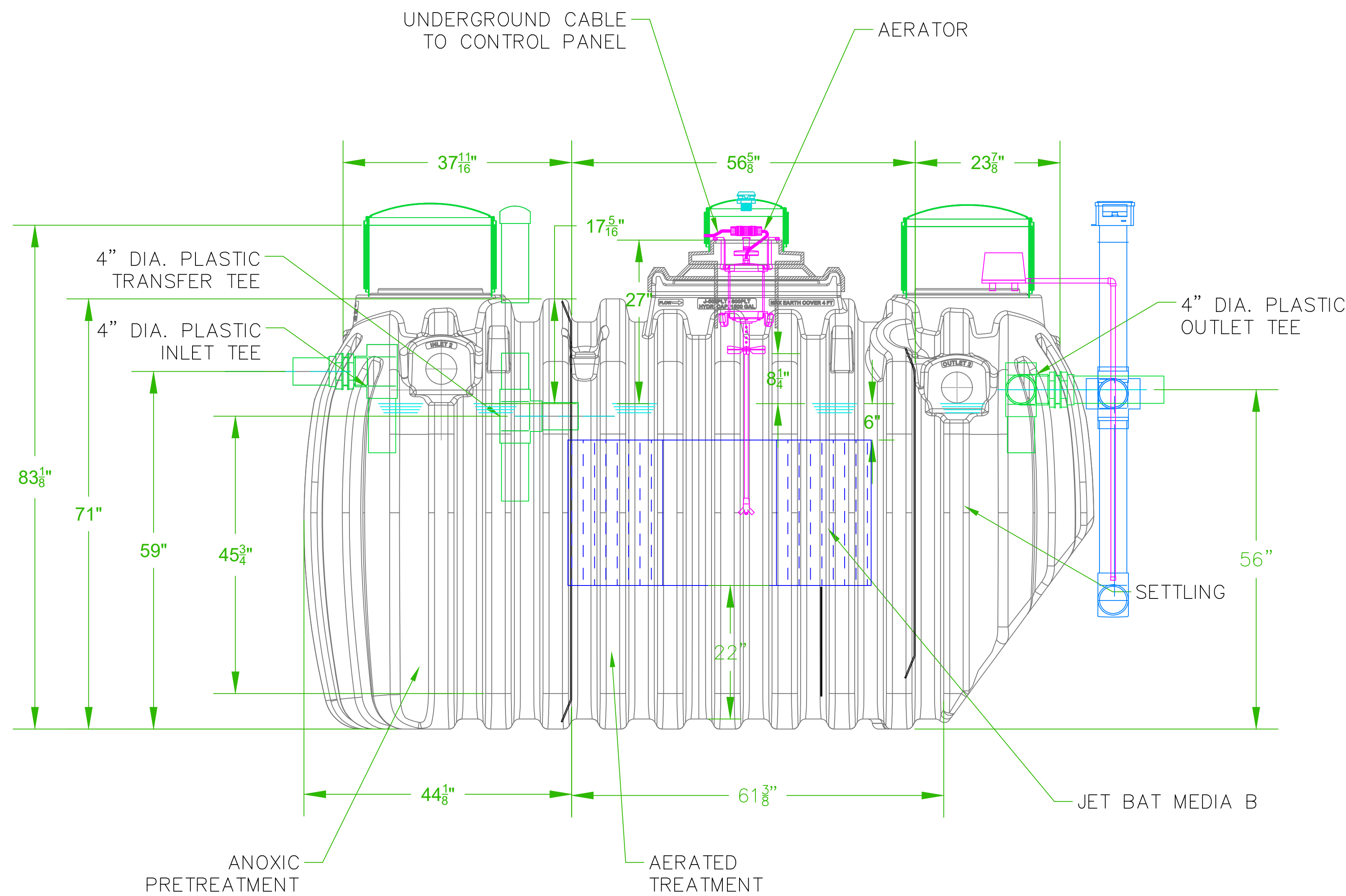
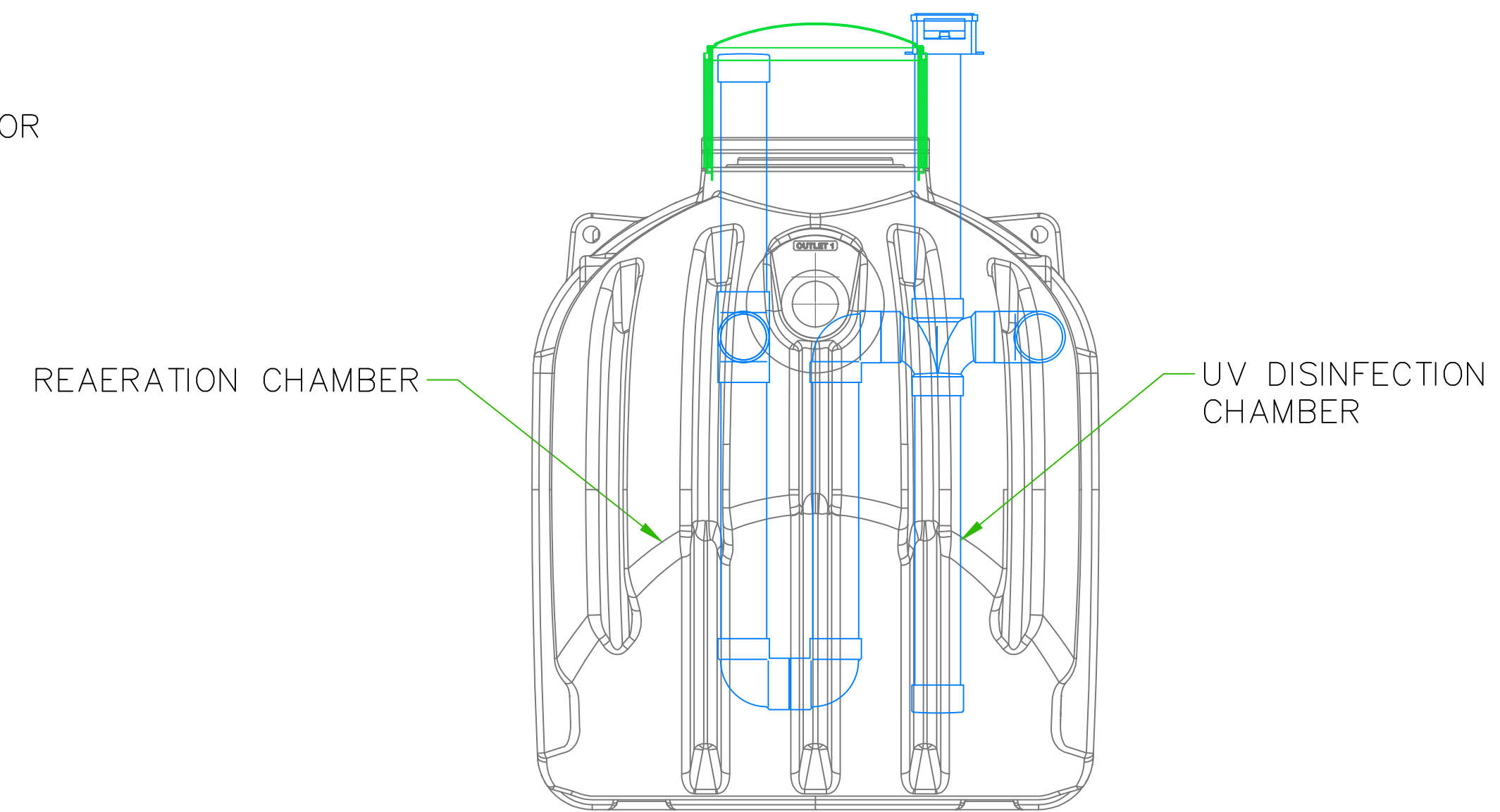
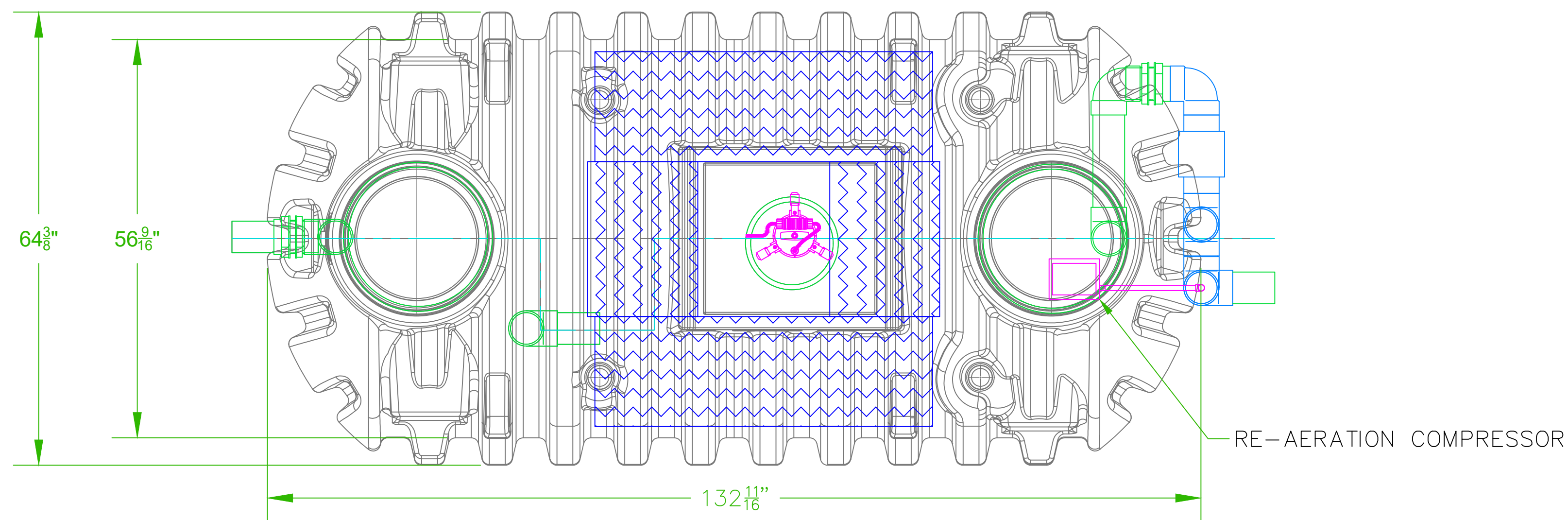


NOTES:

1. AERATOR MODEL 700LL MUST BE USED IN CONTINUOUS OPERATION
2. MAXIMUM BURIAL DEPTH 48" FROM TOP OF TANK



A 15099/1/15	CORRECT OUTLET PIPE HEIGHT	N J K
-- 14078/18/15	REDRAWN	N J K
REV	DATE	DESCRIPTION
		DRFT
		DRAWN BY: BHD DATE: 11/7/24 APPROVED BY: [Signature] DATE: [Signature]
TITLE: J-800 RESIDENTIAL WWTP PLASTIC TANK WITH UV DISINFECTION AND RE-AERATION		MATERIAL: SCALE: 1" = 20' SIZE: C
USED ON:		UNLESS OTHERWISE SPECIFIED: ALL DIMENSIONS ARE IN INCHES DECIMAL: ± .005 FRACTIONAL: ± 1/64 DEGREE: ± 1°
PROPRIETARY PROPERTY: THIS DRAWING IS THE PROPERTY OF JET INC. AND MAY NOT BE REPRODUCED, COPIED OR USED WITHOUT WRITTEN PERMISSION.		DRAWING NUMBER: J-800-PLT-RAD REV: A